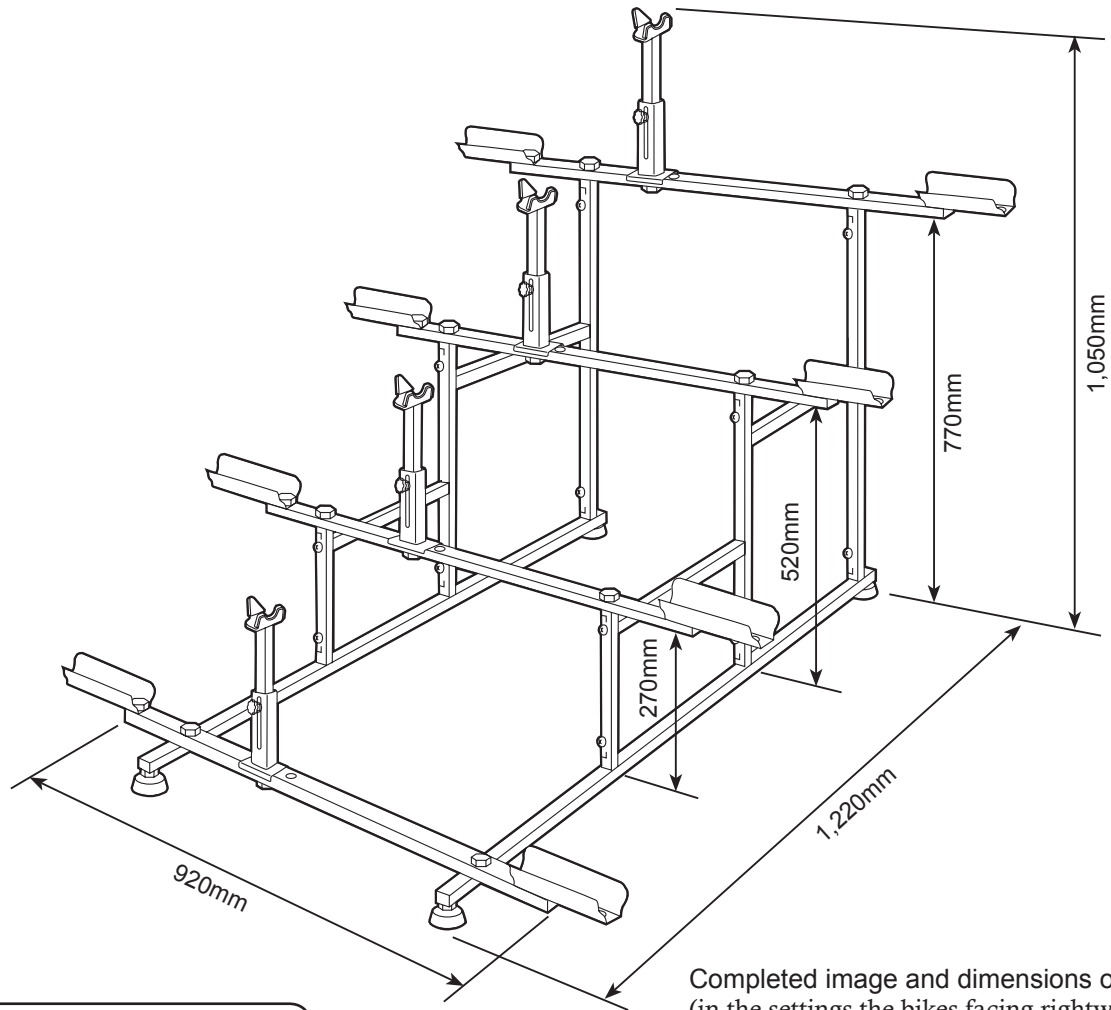


Thank you for choosing Minoura 971-4.

Read this instructions carefully to understand well how this stand is constructed before starting assembling.



Completed image and dimensions of 971-4
(in the settings the bikes facing rightward)



IMPORTANT NOTES

- For standard 2-wheel bike only. No recumbent, tandem and any other type of bikes.
- For 24-inch wheel or larger only. Any bike with smaller wheel such as BMX or juvenile bike, and a special bike with too low bottom bracket height or carbon monocoque frame may not fit to this stand.
- In the case of electric bike, the weight limit is 30 kgs each.
- The bike is supported at just 3 points; front tire, rear tire and the bottom bracket. Adjust the BB Support height precisely in each case to expect maximum stability.
- The bike direction is fixed as per the Stair Frame direction. Wrong direction cannot mount the bike properly.
- Do not step on this stand. The stand body is not so durable to support your weight.
- Setup this stand on horizontal and level floor, especially when installing the optional Caster Kit.
- When moving this stand, get off all bikes from the stand before action.
- Check regularly if each bolt and nut are firmly tightened.

Contact

MINOURA JAPAN

1197-1 Godo, Anpachi, Gifu 503-2305 Japan

Phone +81-584-27-3131 / Fax +81-584-27-7505

minoura@minoura.jp <http://www.minoura.jp>

Made in Japan

How To Assemble 971-4

Required Tools

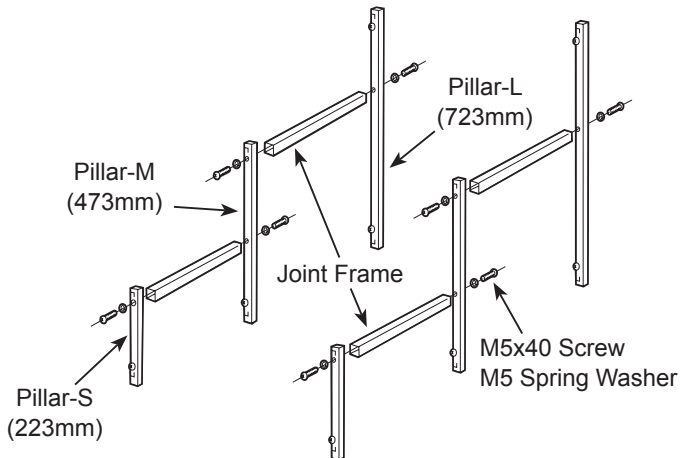
- 1 x Phillips Screwdriver (#2)
- 2 x 13mm Sockets Wrench

1 First of all, check all small parts are correctly prepared.

Parts List

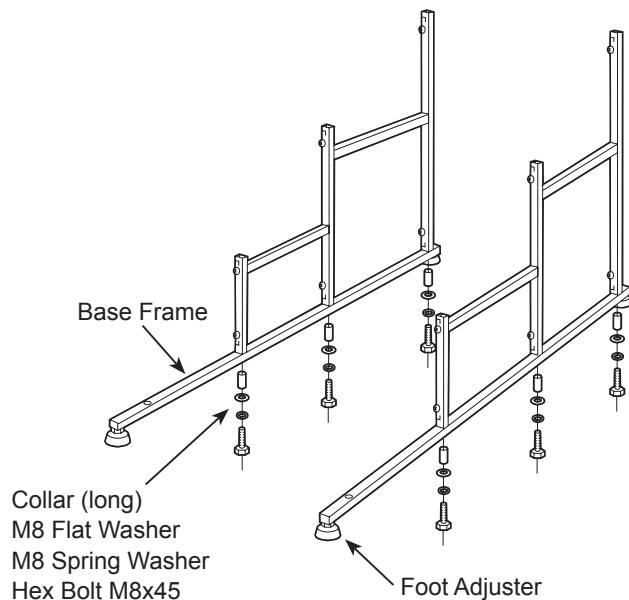
2 x Base Frame	8 x Round Head Screw M5x40
4 x Stair Frame	12 x Hex Head Bolt M8x35
2 x Pillar-S (223mm)	12 x Hex Head Bolt M8x45
2 x Pillar-M (473mm)	2 x Hex Head Bolt M8x60
2 x Pillar-L (723mm)	20 x Metal Collar (short)
4 x Joint Frame	8 x Metal Collar (long)
4 x B.B. Support	8 x M5 Spring Washer
8 x Tire Cradle	28 x M8 Spring Washer
4 x Foot Adjuster	30 x M8 Flat Washer
	10 x M8 Nut

2 Assemble 2 sets of Side Frame.
At first, remove the screw and nut which are pre-installed on Pillar-M (473mm).
Attach Joint Frame to between Pillar S & M and M & L.



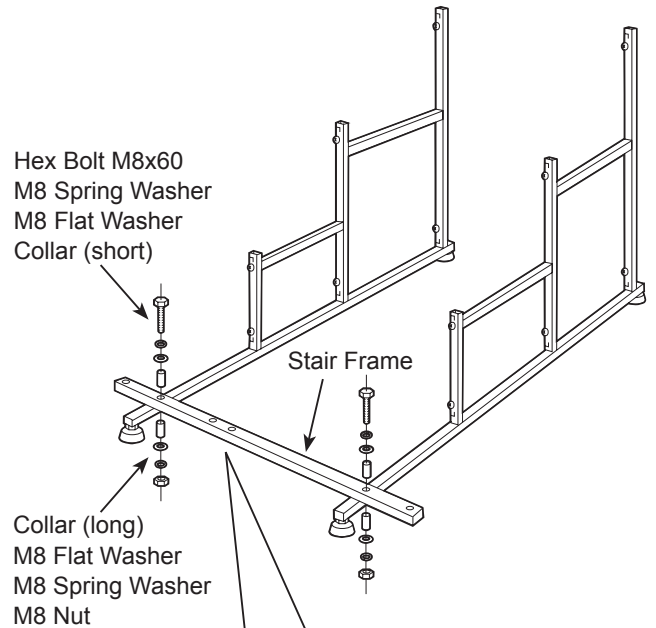
! Make sure the hope position on Pillar-M. You use the further hole on Pillar-M to connect with Pillar-L. Failure will not align the pillars.

3 Assemble Base Frame with each Side Frame.
Install Foot Adjusters on both ends of Base Frame.



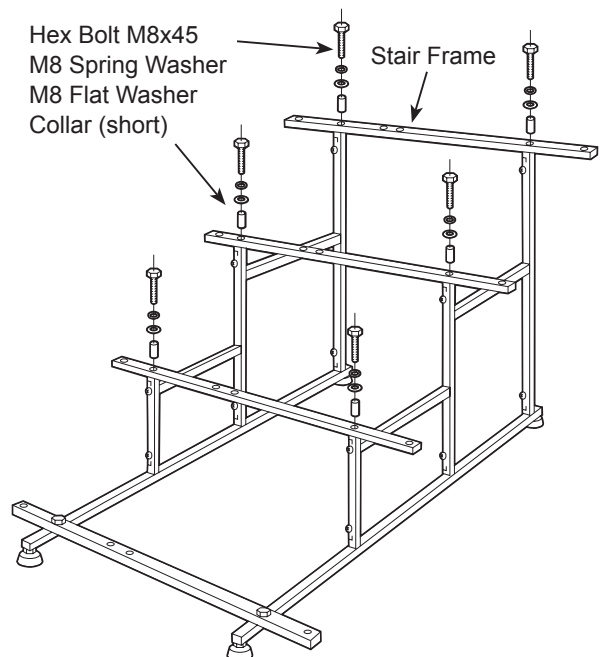
! To avoid stain to the floor or carpet, you should put the supplied round transparent film on each back of Foot Adjuster.

4 Connect both Side Frames with four (4) Stair Frames. On the 1st level Stair Frame, you use longer M8x60 bolt.

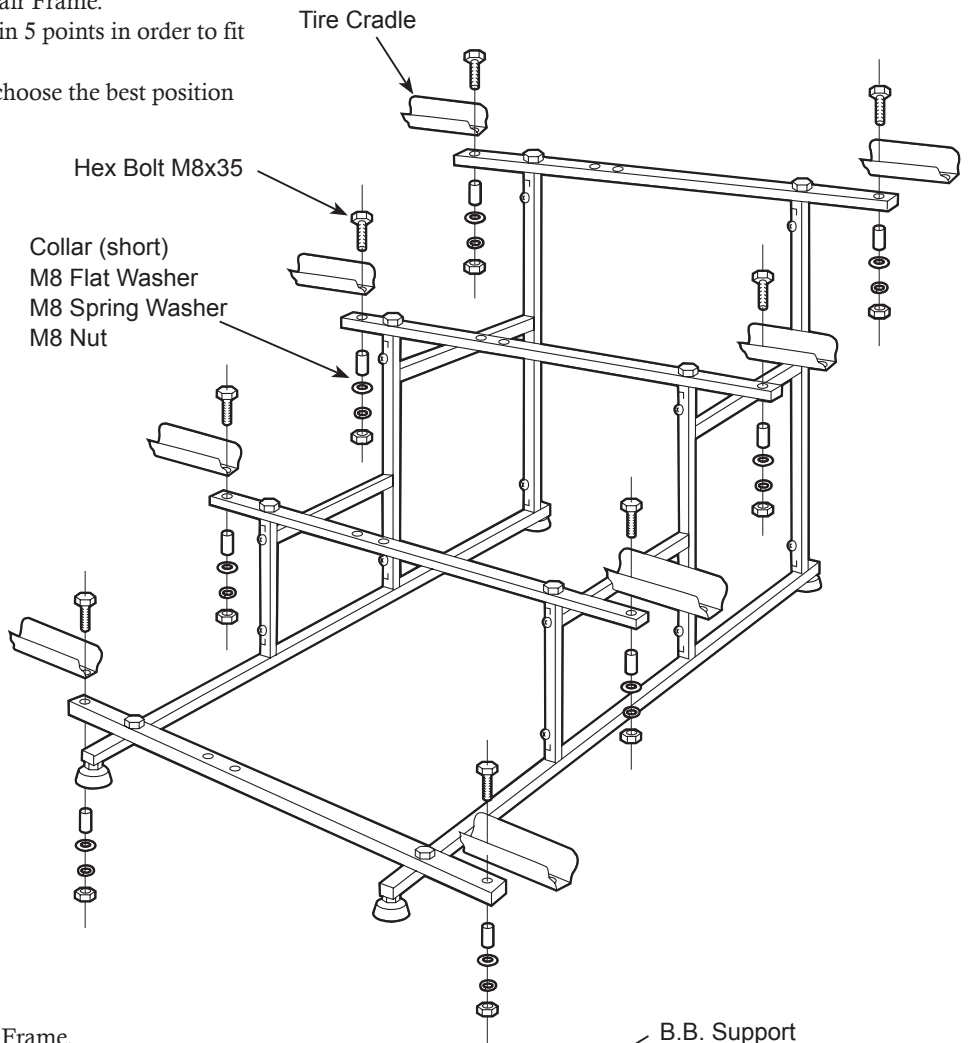
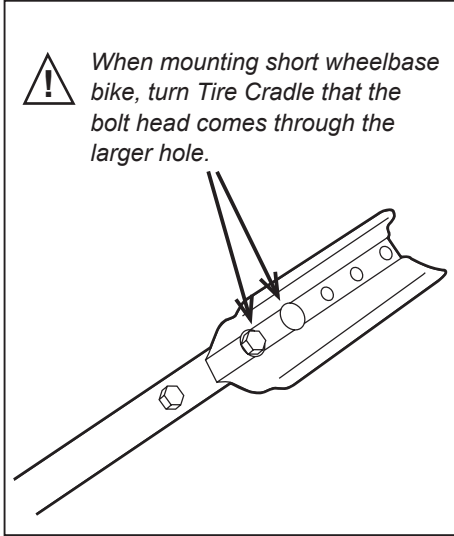


! Make sure there are two (2) holes on each Stair Frame for mounting Bottom Bracket Support. To set the bike heading right, place Stair Frame to have the holes in left side.

5 Install Stair Frames on the 2nd, 3rd and 4th levels. Set all frames in the same direction if you wish to set the bikes in same direction.

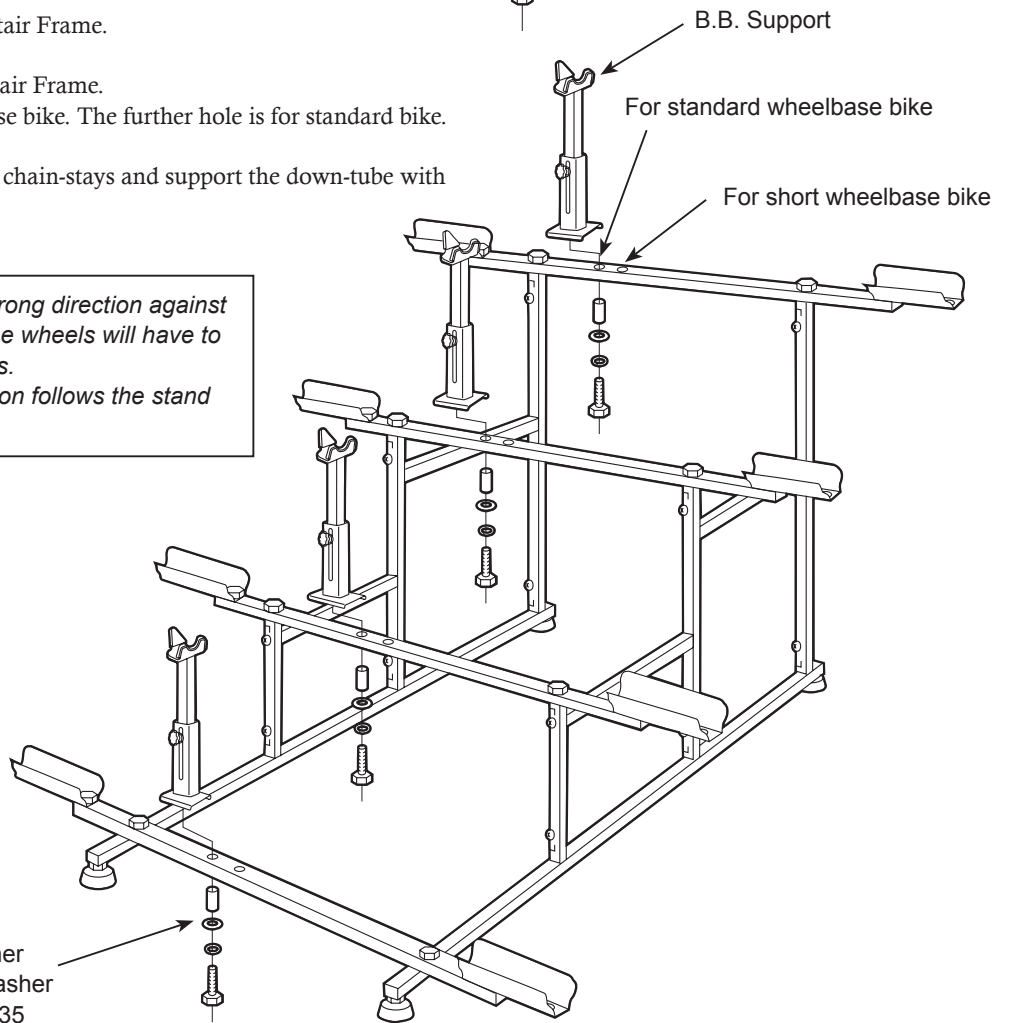
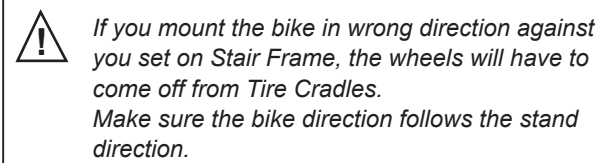


- 6** Install a pair of Tire Cradles on each Stair Frame. Each Tire Cradle is position adjustable in 5 points in order to fit various sizes of bike wheelbase. To expect maximum stability of bikes, choose the best position each by each.



- 7** Install Bottom Bracket Support to Stair Frame. Be sure there are two (2) holes on Stair Frame. The center hole is for short wheelbase bike. The further hole is for standard bike.

Put the triangle bracket between the chain-stays and support the down-tube with the U-shaped bracket.

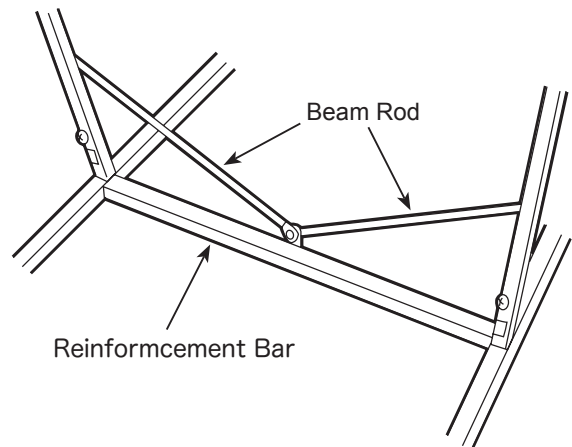
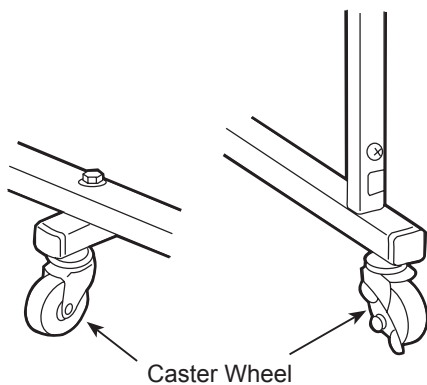


How To Mount Bike on 971-4

- 1** Place the bike on the floor in the same direction you set on Stair Frame.
- 2** Place both front and rear tire on Tire Cradles.
- 3** While supporting bike with hand, loosen the knob bolt on B.B. Support, and extend the upper support until it touches the bottom bracket.
- 4** After confirming the bike is stably supported that the U-shaped part holds the down-tube and the triangle guide is put between the chain-stays, tighten the knob bolt to hold the position.
- 5** In the end, shake the bike side to side to confirm the bike is stably supported, then leave from the stand.

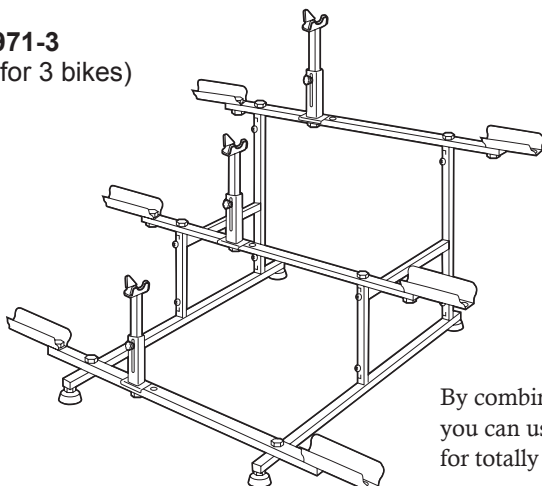
Caster Kit (option)

By replacing Foot Adjuster to a caster wheel, you can move 971-4 to anywhere while mounting bikes on it. Caster Kit contains a reinforcement bar and beam rods to keep the frame solid and stable. The reinforcement bar will be installed under Pillar-M (473mm).

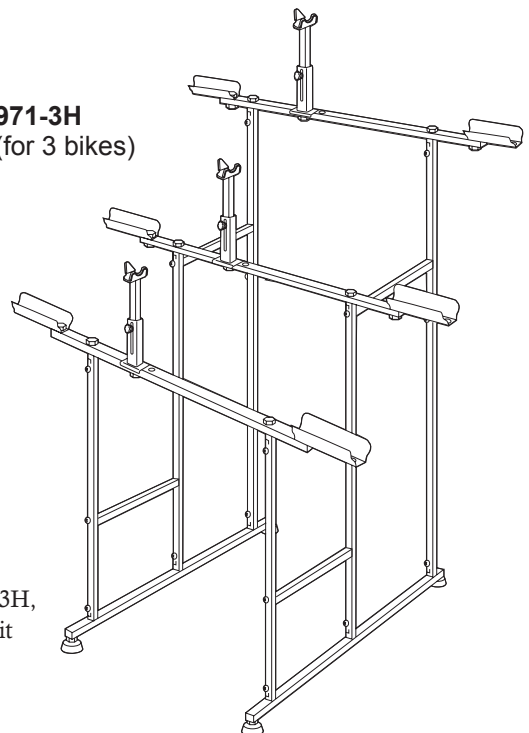


Model Variation

971-3
(for 3 bikes)



971-3H
(for 3 bikes)



By combining 971-3 and 971-3H, you can use them as a one unit for totally 6 bikes.