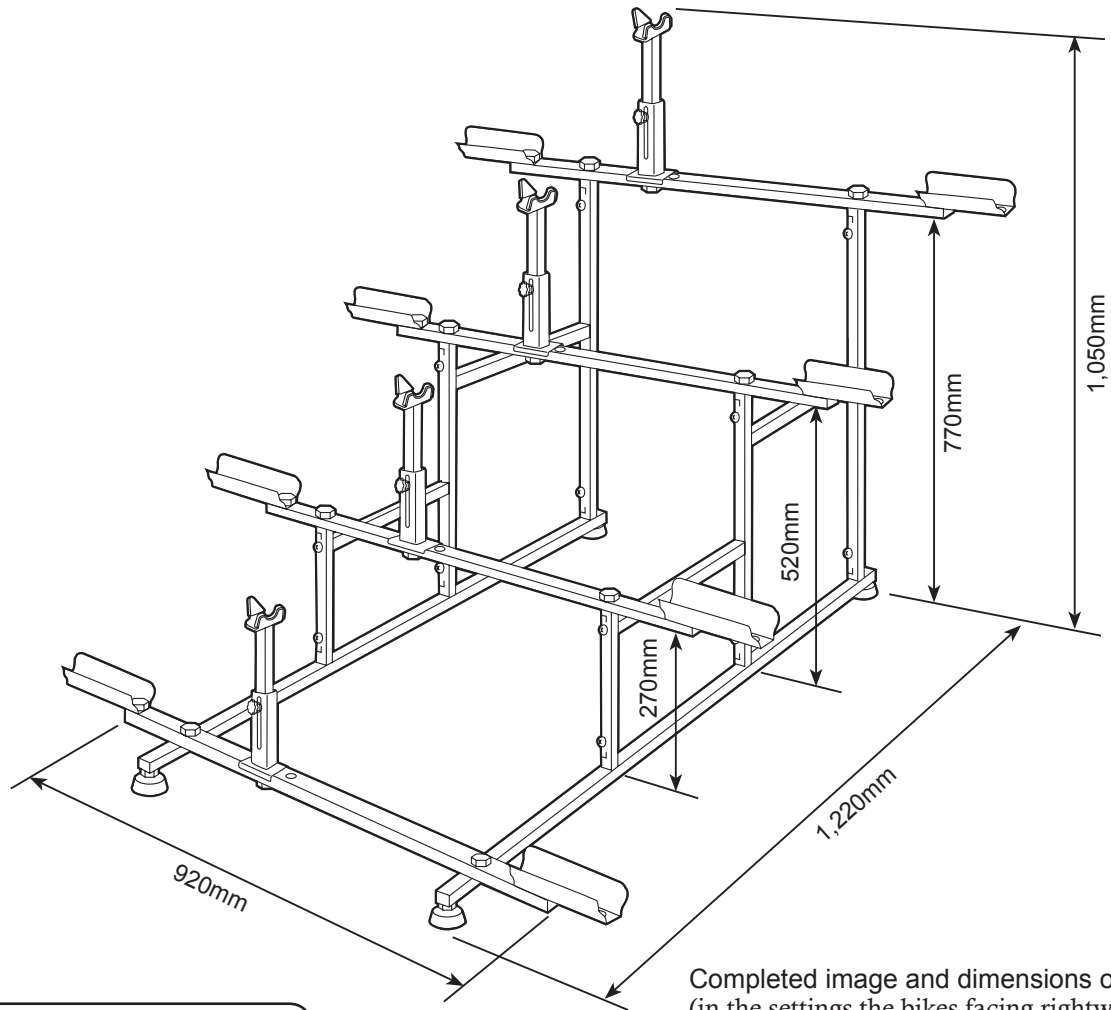


Thank you for choosing Minoura 971-4.

Read this instructions carefully to understand well how this stand is constructed before starting assembling.



Completed image and dimensions of 971-4
(in the settings the bikes facing rightward)



IMPORTANT NOTES

- For standard 2-wheel bike only. No recumbent, tandem and any other type of bikes.
- For 24-inch wheel or larger only. Any bike with smaller wheel such as BMX or juvenile bike, and a special bike with too low bottom bracket height or carbon monocoque frame may not fit to this stand.
- In the case of electric bike, the weight is limited under 30 kgs each.
- The bike is supported at just 3 points; front tire, rear tire and the bottom bracket. Adjust the BB Support height precisely in each case to expect maximum stability.
- The bike direction is fixed as per the Stair Frame direction. Wrong direction cannot mount the bike properly.
- Do not step on this stand. The stand body is not so durable to support your weight.
- Setup this stand on horizontal and level floor, especially when installing the optional Caster Kit.
- When moving this stand, get off all bikes from the stand before action.
- Check regularly if each bolt and nut are firmly tightened.

Contact

MINOURA JAPAN

134-1 Shimomiya, Godo, Anpachi, Gifu 503-2312 Japan

Fax: +81-584-27-7505

Mail: minoura@minoura.jp

Web: www.minoura.jp

Made in Japan

How To Assemble 971-4

Required Tools

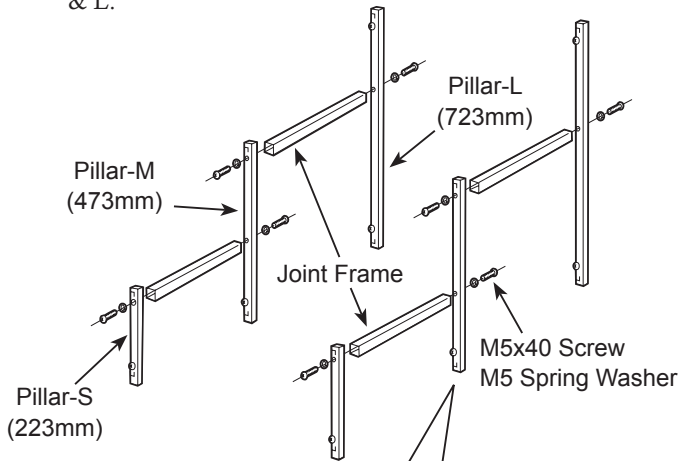
- 1 x Phillips Screwdriver (#2)
- 2 x 13mm Socsket Wrench

1 First of all, check all small parts are correctly prepared.

Parts List

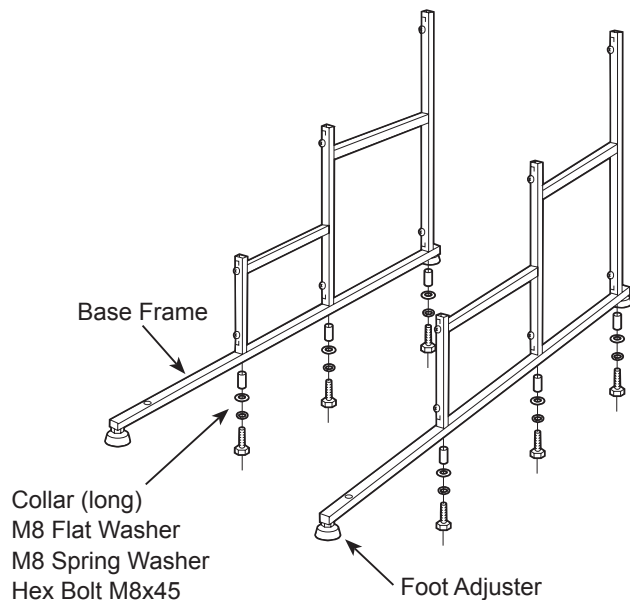
- | | |
|----------------------|----------------------------|
| 2 x Base Frame | 8 x Round Head Screw M5x40 |
| 4 x Stair Frame | 4 x Hex Head Bolt M8x30 |
| 2 x Pillar-S (223mm) | 8 x Hex Head Bolt M8x35 |
| 2 x Pillar-M (473mm) | 12 x Hex Head Bolt M8x45 |
| 2 x Pillar-L (723mm) | 2 x Hex Head Bolt M8x60 |
| 4 x Joint Frame | 20 x Metal Collar (short) |
| 4 x B.B. Support | 8 x Metal Collar (long) |
| 8 x Tire Cradle | 8 x M5 Spring Washer |
| 4 x Foot Adjuster | 28 x M8 Spring Washer |
| | 30 x M8 Flat Washer |
| | 10 x M8 Nut |

2 Assemble 2 sets of the Side Frame.
At first, remove the screw and the nut which are pre-installed on the Pillar-M (473mm).
Attach the Joint Frame to between the Pillar S & M and M & L.



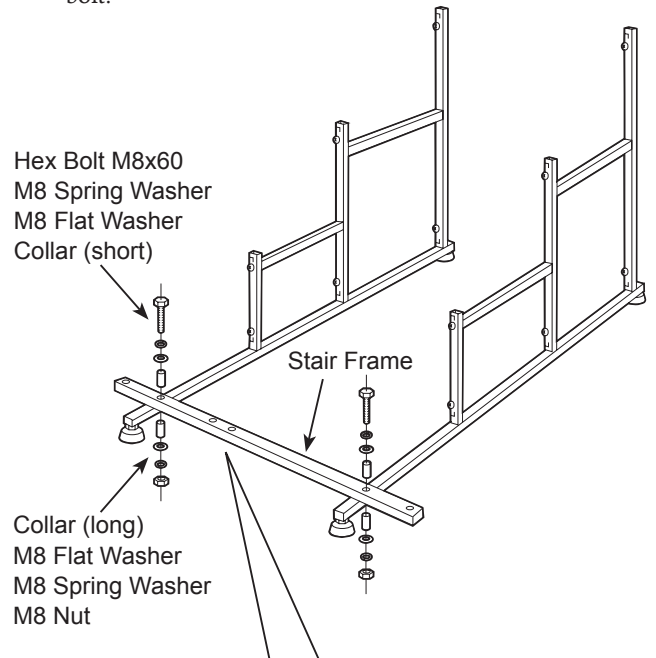
! Make sure the hole position on the Pillar-M. You use the further hole on the Pillar-M to connect with the Pillar-L. Failure will not align the pillars.

3 Assemble the Base Frame with each Side Frame.
Install the Foot Adjusters on both ends of the Base Frame.



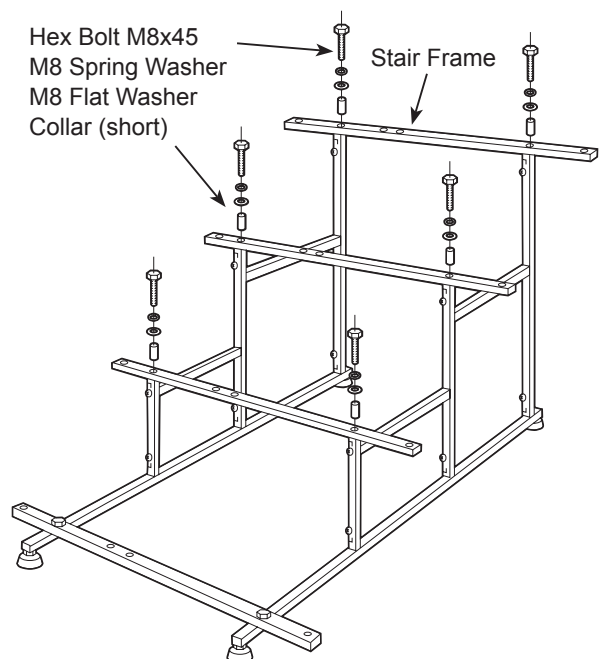
! To avoid stain to the floor or carpet, you should put the supplied round transparent film on each back of the Foot Adjuster.

4 Connect both Side Frames with four (4) Stair Frames.
On the 1st level Stair Frame, you use the longer M8x60 bolt.

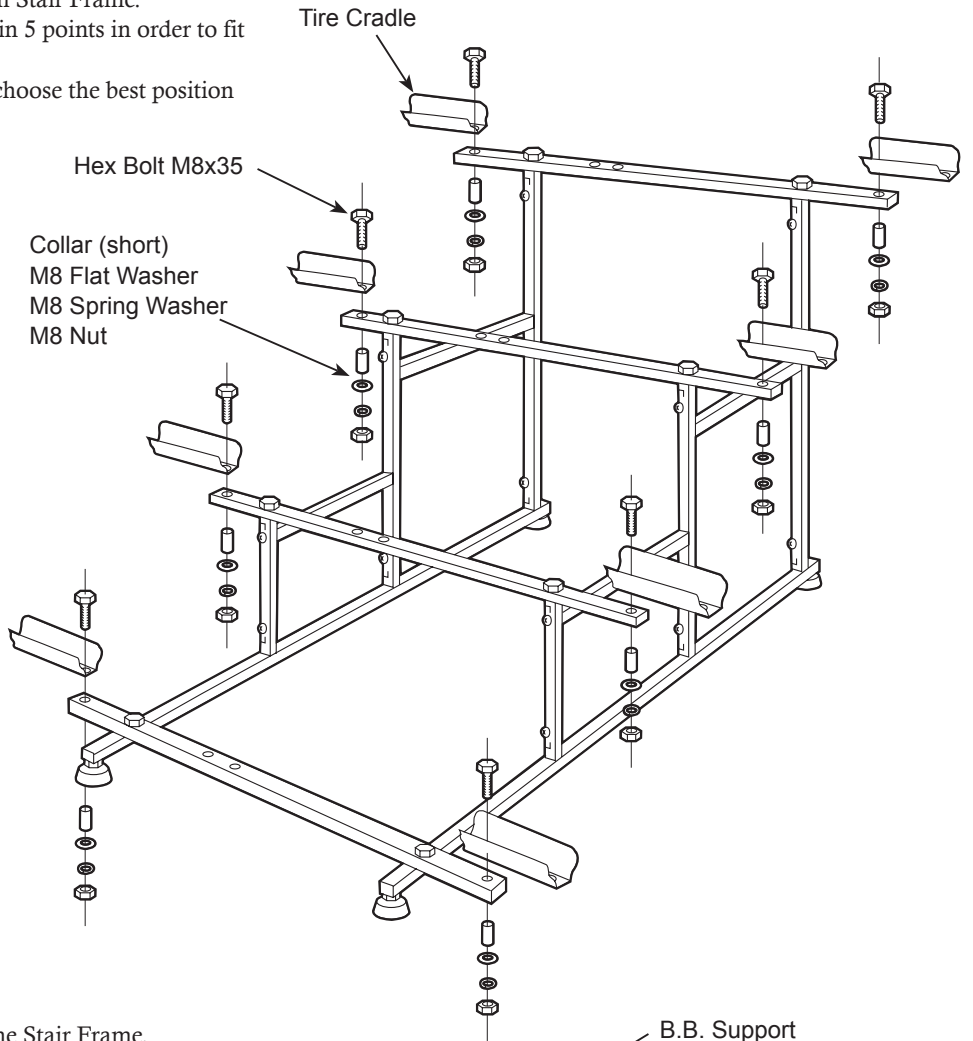
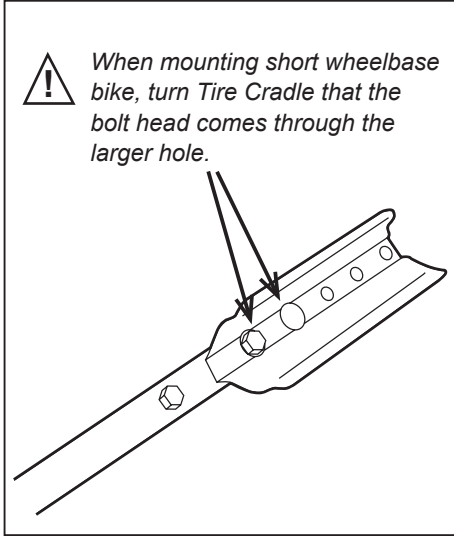


! Make sure there are two (2) holes on each Stair Frame for mounting the Bottom Bracket Support. To set the bike heading right, place the Stair Frame to have the holes in left side.

5 Install the Stair Frames on the 2nd, 3rd and 4th levels.
Set all frames in the same direction if you wish to set the bikes in same direction.

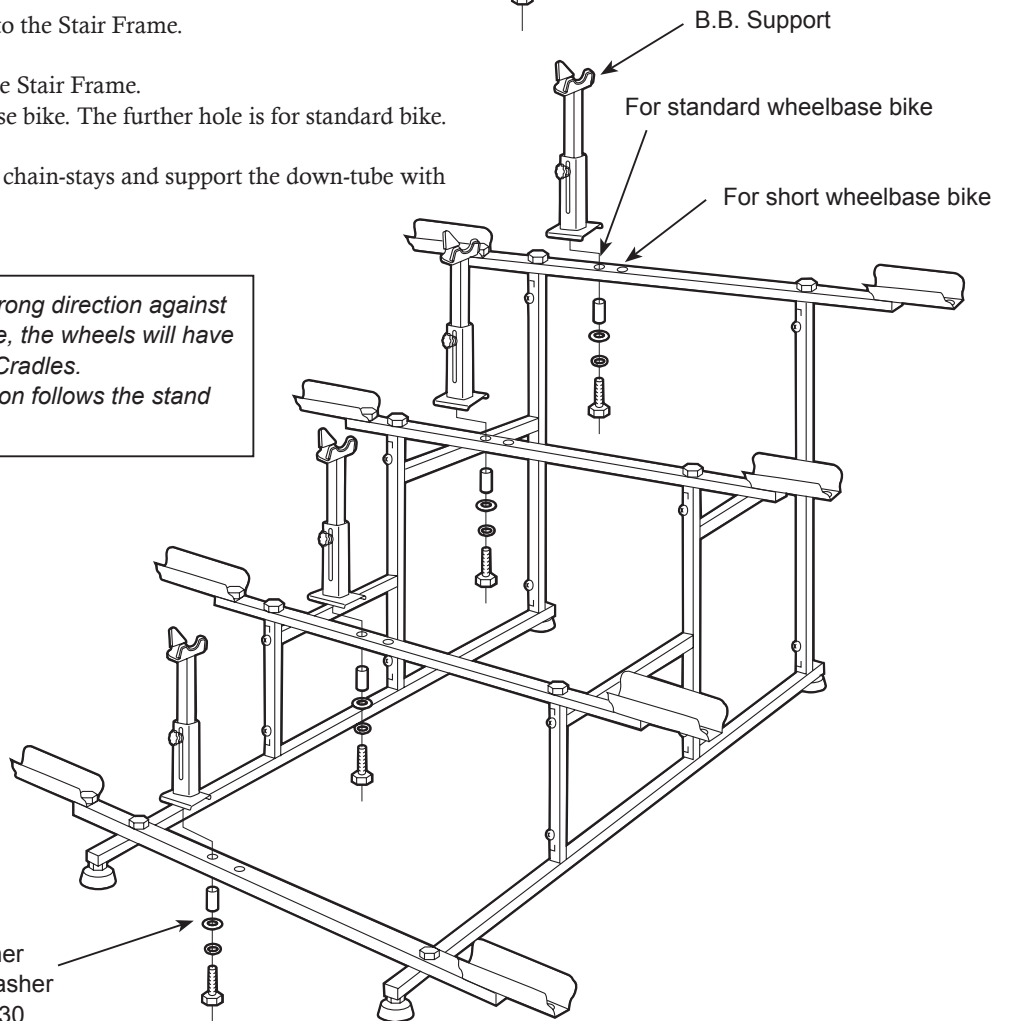
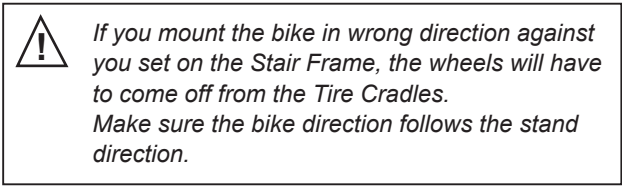


- 6** Install a pair of the Tire Cradles on each Stair Frame. Each Tire Cradle is position adjustable in 5 points in order to fit various sizes of bike wheelbase. To expect maximum stability of bikes, choose the best position each by each.



- 7** Install the Bottom Bracket Support to the Stair Frame. Be sure there are two (2) holes on the Stair Frame. The center hole is for short wheelbase bike. The further hole is for standard bike.

Put the triangle bracket between the chain-stays and support the down-tube with the U-shaped bracket.



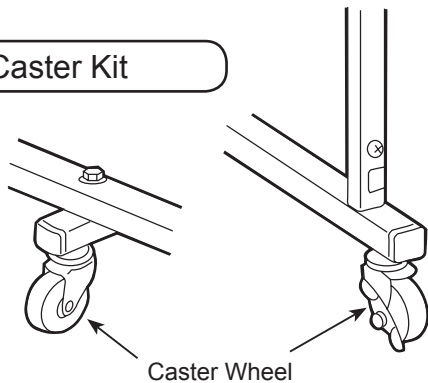
How To Mount Bike on 971-4

- 1** Place the bike on the floor in the same direction you set on the Stair Frame.
- 2** Place both front and rear tire on the Tire Cradles.
- 3** While supporting the bike with hand, loosen the knob bolt on B.B. Support, and extend the upper support until it touches the bottom bracket.
- 4** After confirming the bike is stably supported that the U-shaped part holds the down-tube and the triangle guide is put between the chain-stays, tighten the knob bolt to hold the position.
- 5** In the end, shake the bike side to side to confirm the bike is stably supported, then leave from the stand.

Optional Items

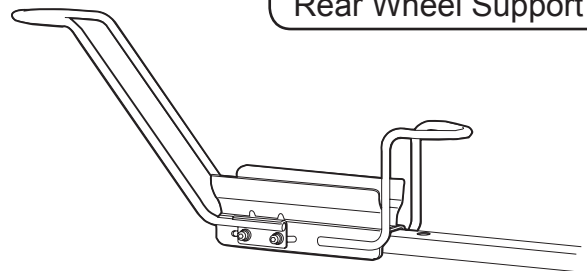
By replacing the Foot Adjuster to a caster wheel, you can move 971-4 to anywhere while mounting bikes on it. Caster Kit contains a reinforcement bar and beam rods to keep the frame solid and stable. The reinforcement bar will be installed under Pillar-M (473mm).

Caster Kit

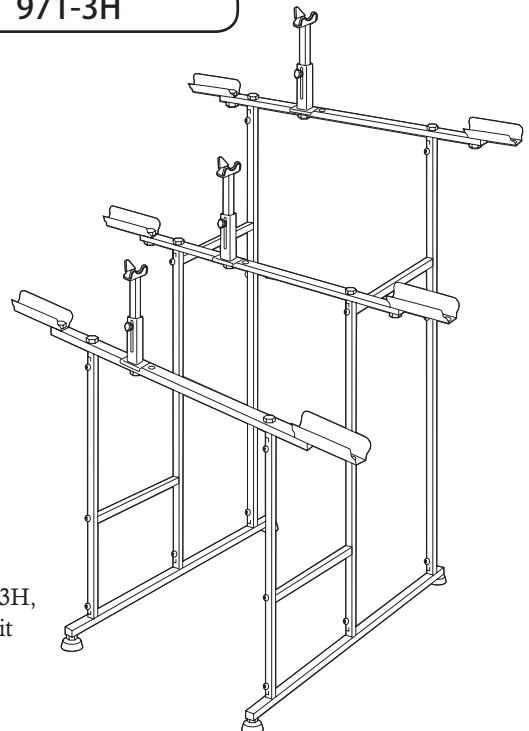


If you cannot hold the bike on 971-4 stable due to the special frame shape such as carbon monocoque or a battery for electric shifting device sits near the bottom bracket, you need to add this wheel holder between the tire cradle and the frame instead of using the B.B. Support. This cradle holds the whole rear wheel.

Rear Wheel Support

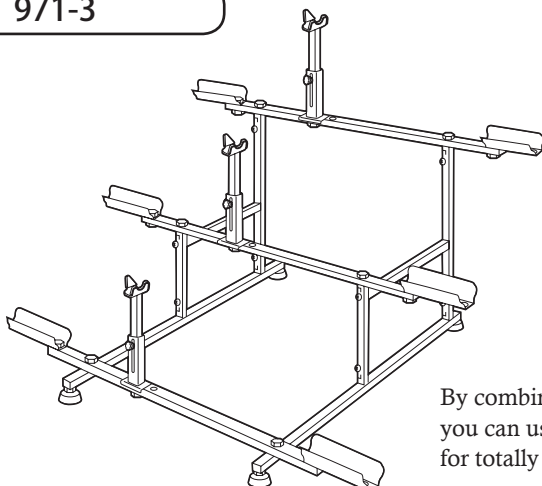


971-3H



Model Variation

971-3



By combining 971-3 and 971-3H, you can use them as a one unit for totally 6 bikes.