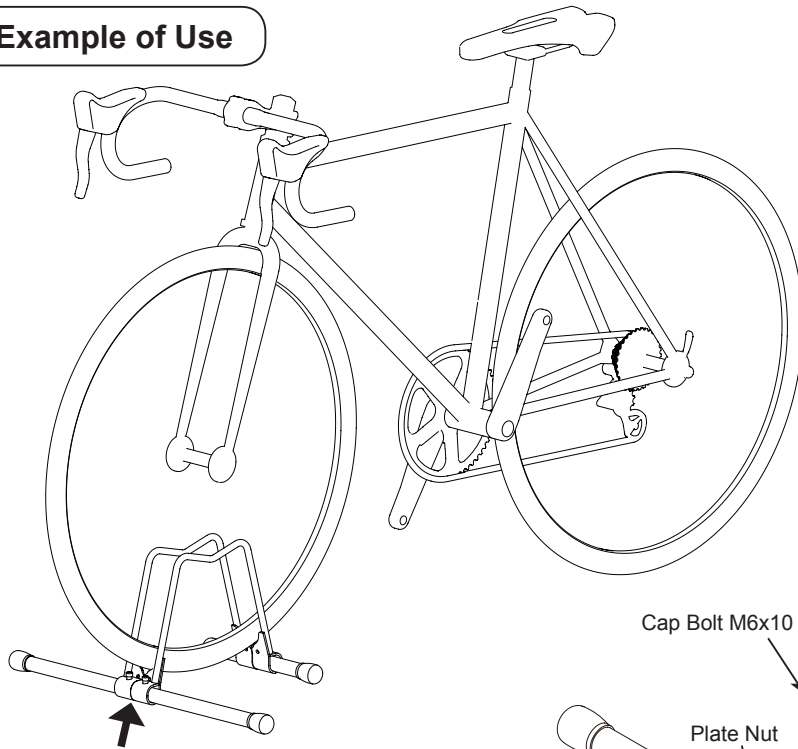


Example of Use



[Example : Holds a road bike in Narrow Mode]

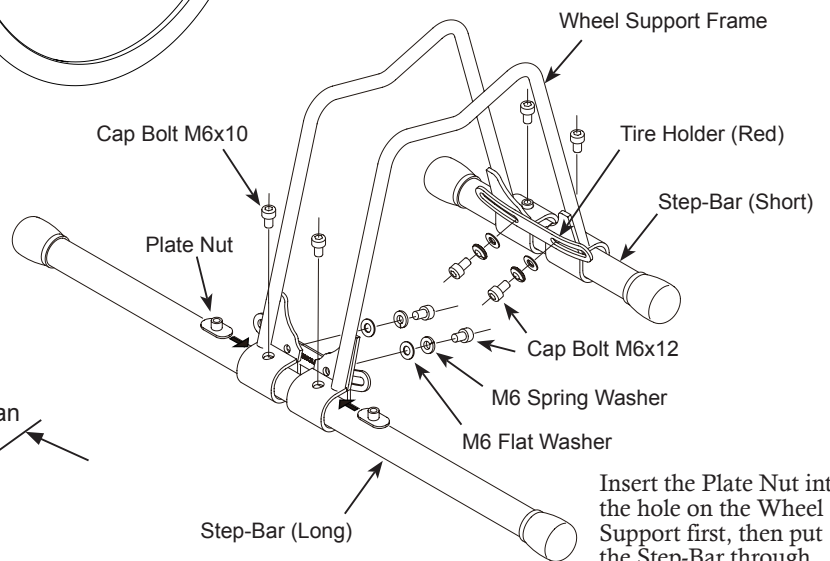
DS-150



Warranty Period : 1-year

For more information, visit:
<http://www.minoura.jp/english/support/cs/contact.html>

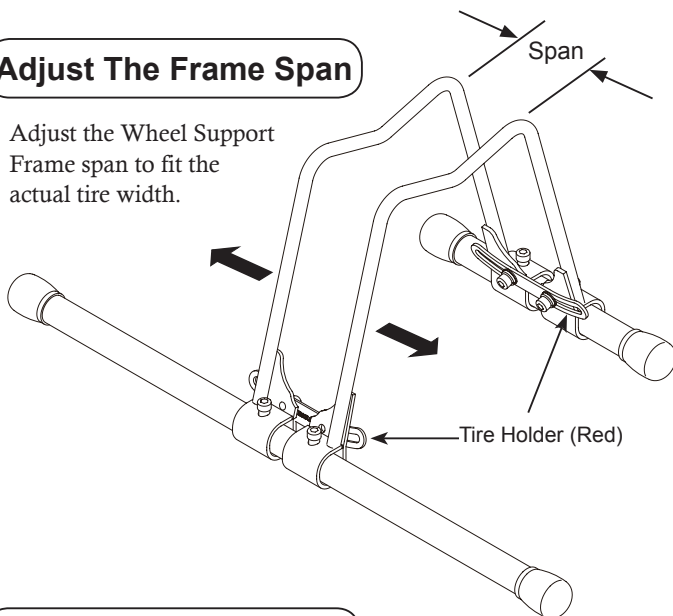
Schematics



Insert the Plate Nut into the hole on the Wheel Support first, then put the Step-Bar through and tighten the bolt from outside to hold.

Adjust The Frame Span

Adjust the Wheel Support Frame span to fit the actual tire width.



[Normal Mode] for fat MTB tires

Fully adjustable between 56mm and 120mm.

Loosen every bolt and slide the frames. After adjustment, tighten all bolts firmly.

[Narrow Mode] for road bike and cross bike tires

By removing the Tire Holder, you can set the frame span narrower than 56mm. The minimum is 44mm.

Connecting DS-150s

We suggest using multiple DS-150's for better support than a single DS-150. To connect the stands, remove the shorter Step-Bar and install the next longer Step-Bar there.



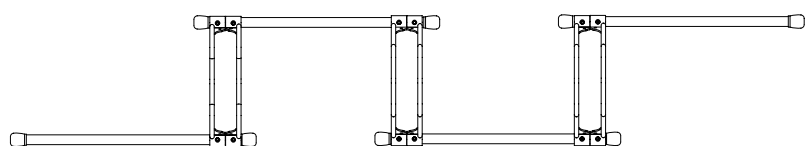
When using a single DS-150, set the frames to the center to achieve maximum stability.



DS-150 holds the bike by using the spokes for support.

Adjust the wheel position so the frame contacts as many spokes as possible.

There may be some scratches if your spokes are painted.



[Example : connecting three DS-150 stands]

Contact

Made in Japan

MINOURA JAPAN

1197-1 Godo, Anpachi, Gifu 503-2305 Japan

URL: www.minoura.jp / Email: minoura@minoura.jp