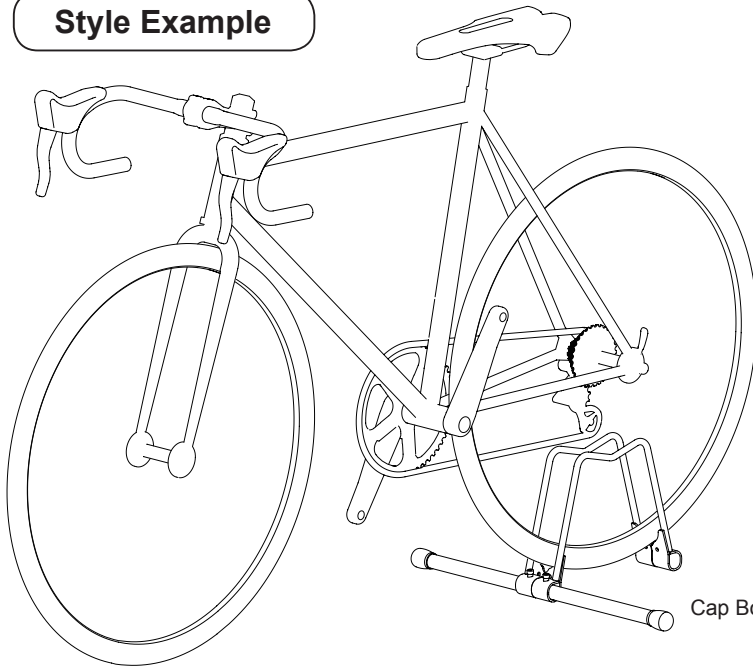


## Style Example



[Example : Holds a road bike at rear wheel]

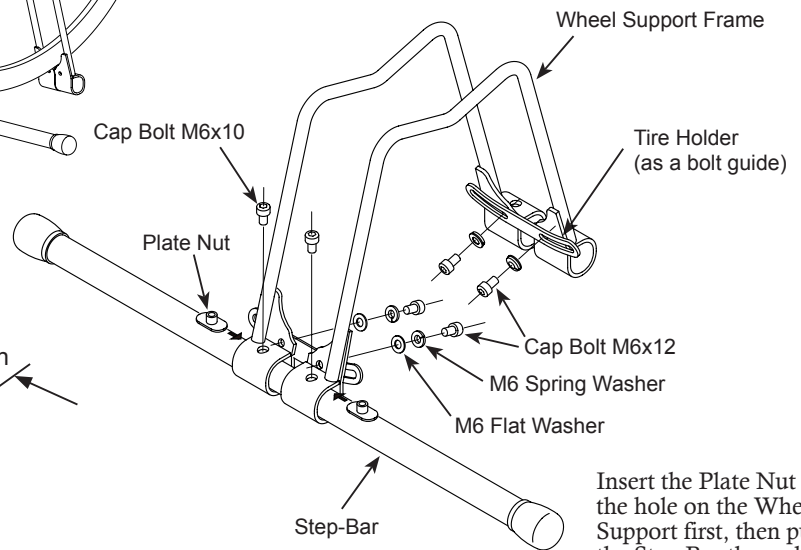
DS-151



**Warranty Period : 1-year**

For more information, visit:  
<http://www.minoura.jp/english/support/cs/contact.html>

## Schematics

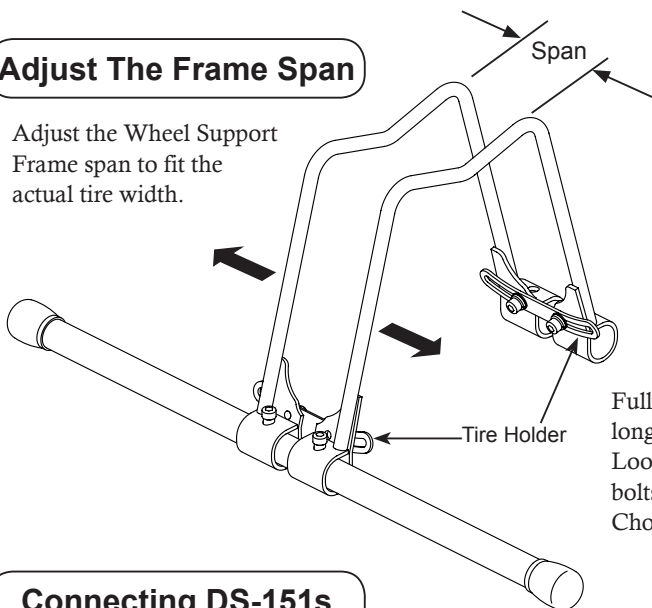


Insert the Plate Nut into the hole on the Wheel Support first, then put the Step-Bar through and tighten the bolt from outside to hold.

Fully adjustable between 44mm and 120mm within the travel of the long hole of the Tire Holder bracket.  
 Loosen every bolt and slide the frames. After adjustment, tighten all bolts firmly.  
 Choose another model "DS-151F" for a FatBike with super wide tire.

## Adjust The Frame Span

Adjust the Wheel Support Frame span to fit the actual tire width.



## Connecting DS-151s

We suggest using multiple DS-151's for better support than a single DS-151.  
 To connect the stands, change the Step-Bar position to connect to the next DS-151.



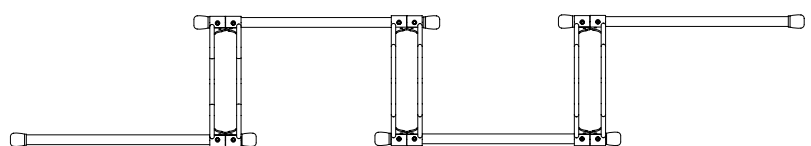
When using a single DS-151 set the frames to the center to achieve maximum stability.



Note: We suggest you to support the bike at the rear wheel rather than the front wheel for more stability, especially in windy condition.



DS-151 holds the bike by using the spokes for support.  
 Adjust the wheel position so the frame contacts as many spokes as possible.  
 There may be some scratches if your spokes are painted.



[Example : connecting three DS-151 stands]

## Contact

### MINOURA JAPAN

1197-1 Godo, Anpachi, Gifu 503-2305 Japan

URL: [www.minoura.jp](http://www.minoura.jp) / Email: [minoura@minoura.jp](mailto:minoura@minoura.jp)

Made in Japan