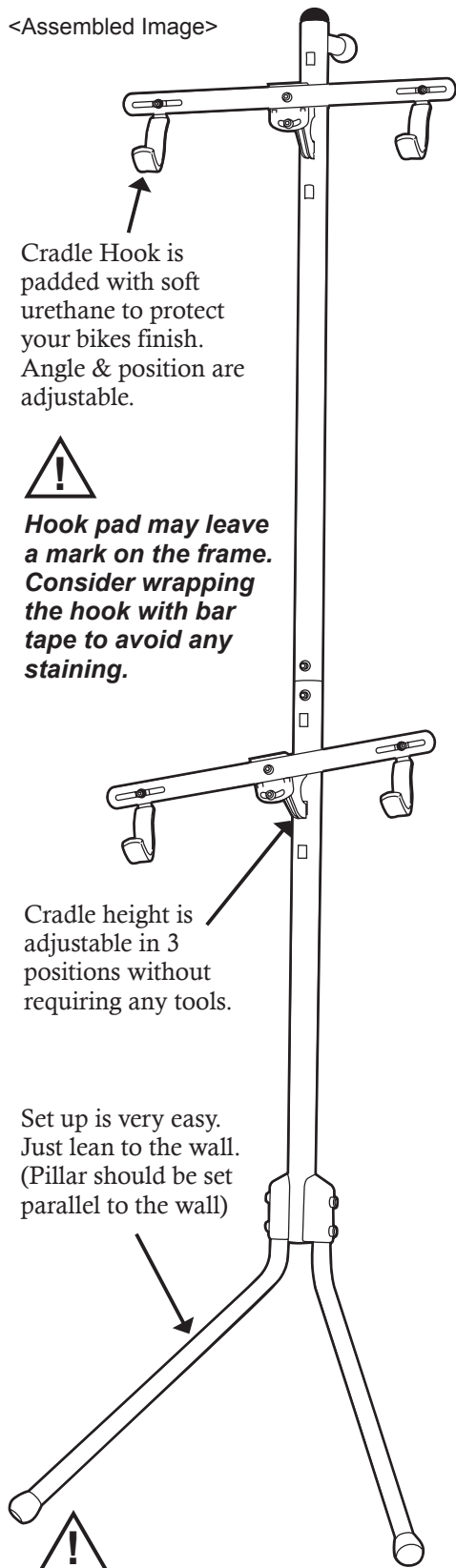


<Assembled Image>



Cradle Hook is padded with soft urethane to protect your bikes finish. Angle & position are adjustable.



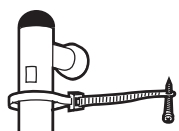
**Hook pad may leave a mark on the frame. Consider wrapping the hook with bar tape to avoid any staining.**

Cradle height is adjustable in 3 positions without requiring any tools.

Set up is very easy. Just lean to the wall. (Pillar should be set parallel to the wall)



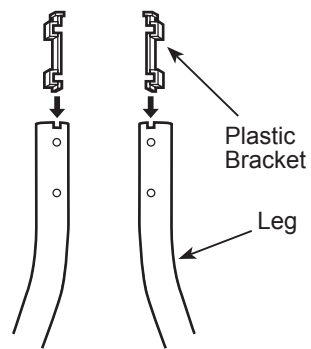
**GravityStand is designed to keep enough stability. But we highly recommend you to fix the stand to the wall with the supplied strap to prevent any accident.**



M3.5x15 or 25 Screw

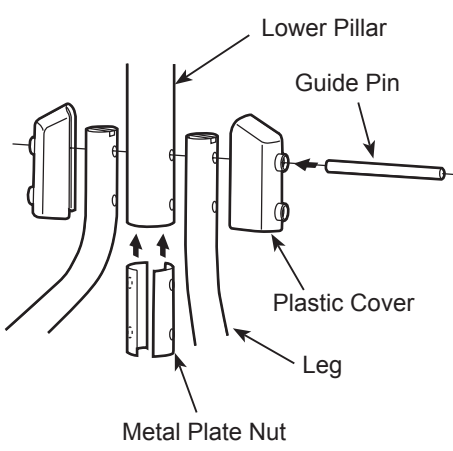
**Required Tool:** 1 x M5 Hex Wrench (included)

**1** Insert Plastic Bracket into each Leg.

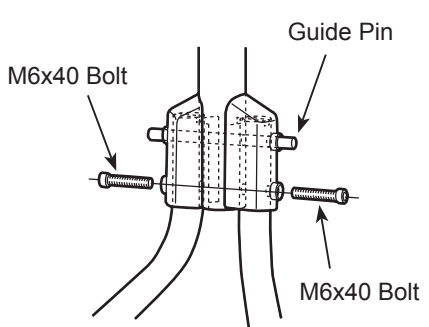


**2** Insert Metal Plate Nut into Lower Pillar from the bottom. Put Plastic Cover onto each Leg, then put through Guide Pin into either hole for temporarily assembling.

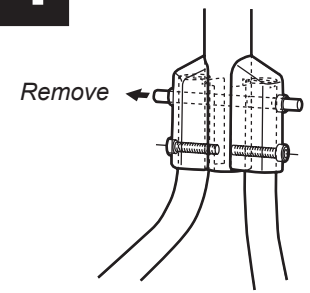
Make sure the square holes on the Lower Pillar face to the front side.



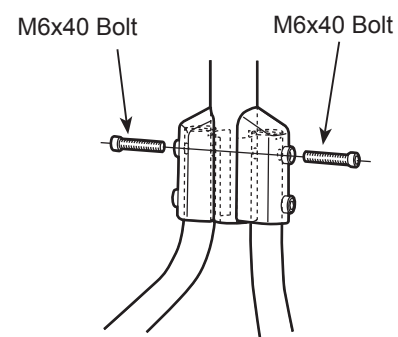
**3** Screw M6x40 Bolt into the hole without Guide Pin. (You don't need to tighten the bolts so much now.)



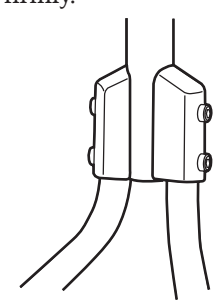
**4** Remove Guide Pin.



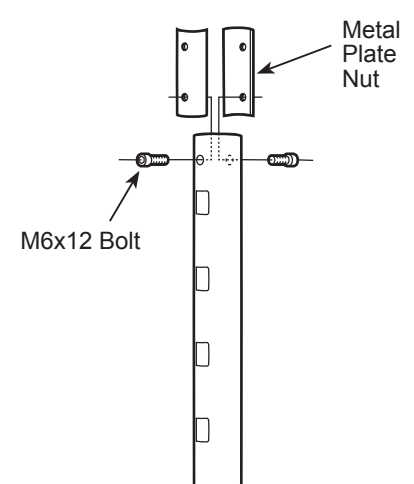
**5** Screw M6x40 Bolt to another hole.



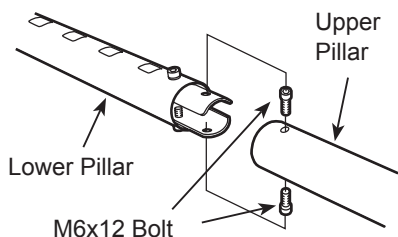
**6** Tighten all M6x40 Bolts firmly.



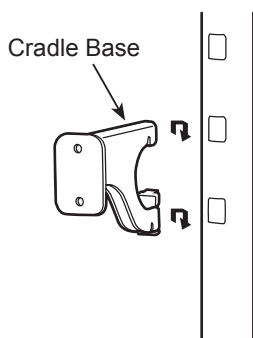
**7** Install Metal Plate Nut to the top holes on Lower Pillar with M6x12 Bolt.



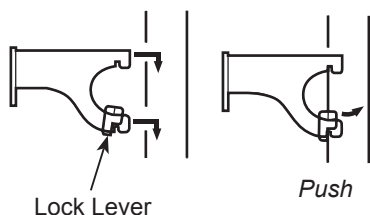
- 8** Join Upper Pillar with the installed metal plate nuts. Make sure the square holes on Upper Pillar align correctly. Tighten the M6x12 bolts firmly.



- 9** Install Cradle Base in the preferred spot. Hook both ends into the square holes then slide down to lock into place. The lower hook is intentionally wider than the hole width and acts as a spring to hold the cradle stably.



- 10** Push the plastic Lock Lever toward the pillar to lock Cradle Base position.

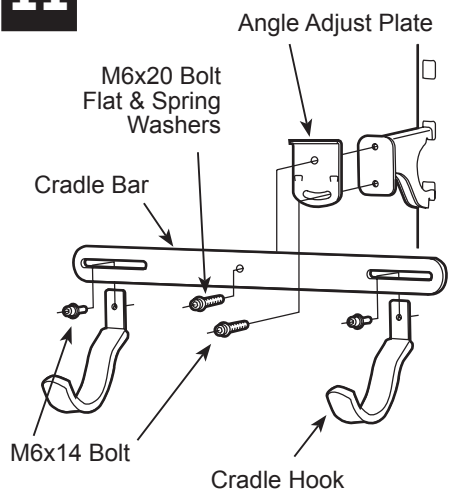


To change Cradle Base position, pull back Lock Lever then pull out the cradle.



**Use a flat screw-driver to release Lock Lever. Do NOT do with your finger, otherwise your nail may be damaged.**

- 11** Assemble Bike Cradle.



Set Angle Adjust Plate with the long hole facing down. Cradle Hook must be installed from the back of Cradle Bar to prevent possible scratching or marring of your frame.

- 12** Set and lean GravityStand to the wall. The pillar must be set parallel to the wall so the bottom side will be wider for increased stability.

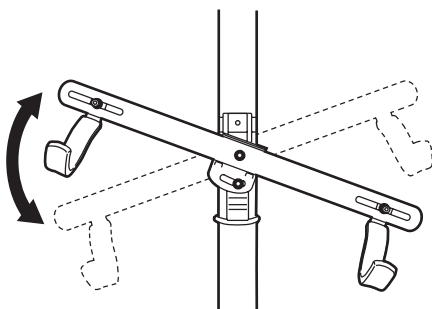
Put the top-tube of your bike on Cradle Hooks gently.



**The stand should be in contact directly with the floor or carpet. Do not put anything between the stand and floor that might cause the stand to slip.**

- 13** Bike cradle is angle adjustable to fit to your bike's top-tube angle. Loosen the lower bolt (long hole side) to adjust. After that tighten the bolt firmly.

The bike should be set as horizontal as possible.



Each position and angle of Cradle Hook is also adjustable.

## IMPORTANT NOTES

- GravityStand is only for holding normal 2-wheel bikes. Do not use for any other purposes than instructed.
- GravityStand is free standing. It is not fixed or supported. Be careful not to hit or bump the stand when passing.
- GravityStand is designed to absorb normal contact. But we do recommend using the supplied strap to provide greater stability.
- Remove any sand and dust from the area Leg touches to prevent slippage problem. Do not place paper or sheet under the leg.
- The hook may stain lighter colored frames. We suggest wrapping the hook in bar tape to prevent any cosmetic damage from happening.
- Check to make sure the bolts on the stand are tight. Tighten firmly with the proper tools when needed.
- Minoura offers **1-year** limited warranty from the date of your purchase. Any problem caused by manufacturer's defect and wrong workmanship will be covered by this program. But any trouble caused by user's misuse, unapproved modification, natural calamity and every problem happened during shipment will NOT be covered by Minoura. For more detail, please refer the attached "Warranty Program Instruction" card and Minoura's web site.

## FOR MORE INFORMATION

*If you have any question, contact the shop where you purchased or the distributor in your country first. The distributor information can be found on Minoura's web site.*

### MINOURA JAPAN

1197-1 Godo, Anpachi, Gifu 503-2305  
 Phone +81-584-27-3131  
 Fax +81-584-27-7505  
 Mail minoura@minoura.jp  
 Web www.minoura.jp

Made in Japan