

(Hanging 2 road bikes image
in K-style leg)

Features & Benefits

- Save vast amounts of space by hanging the bicycles vertically from the front wheel.
- Alloy pillar is durable, light weight and rust proof.
- You can choose from two different styles on the base leg layout; K-style for more effective space saving by placing just next to a wall, or X-style for added better stability.
- Newly designed alloy clamp holds the attachment securely and easily to adjust its height.
- Top hook is padded with soft plastic to prevent damage to the rim. Its unique dual hook design avoids twisting the bike while hanging down.
- Holds a total of 40 kg (max 20 kg per side).

⚠ Cautions

- **For normal 2-wheel bicycle only. Tandem, recumbent, long tail bike and DH bike with super long suspension fork may not be used on this stand in the case if the rear wheel has reached the floor even if you set the top hook at the highest position.**
- **Set the stand on an even and horizontal floor. Adjust each foot precisely to insure each of the foot's four points touch the floor evenly.**
- **Be sure to keep the weight on the stand balanced. A heavy bike on one side without a similar weight bike on the other side may cause the stand to tip.**
- **The clamp is made of strong but lightweight material. Do not overtighten or the bolt may come out of the housing, ruining the clamping mechanism.**
- **Follow the correct order for tightening the screws. Failure to do so may lead to improperly tightened screws.**
- **Screw the bolt by your finger at least in the first 3 – 4 rotations in order to prevent wrong screwing. After confirming the bolt is screwed properly without any problem, you can now use tool for tightening.**
- **To prevent the stand from tipping over backwards, the stand should be placed next to a wall when you choose K-style leg combination.**
- **The rear wheel hook is a guide, not a lock. It is there to help maintain balance.**

Contact

If you have question or problem on this product, please contact the shop where you originally purchase this product or the distributor in your country first. The distributor information can be found on our web site. Only when you cannot obtain enough service from them, you can contact Minoura directly.

MINOURA JAPAN

(for ALL customers, including Canada)

1197-1 Godo, Anpachi, Gifu 503-2305 Japan

Fax +81-584-27-7505

minoura@minoura.jp / www.minoura.jp

MINOURA NORTH AMERICAN TECH CENTER

(for U.S. residents ONLY)

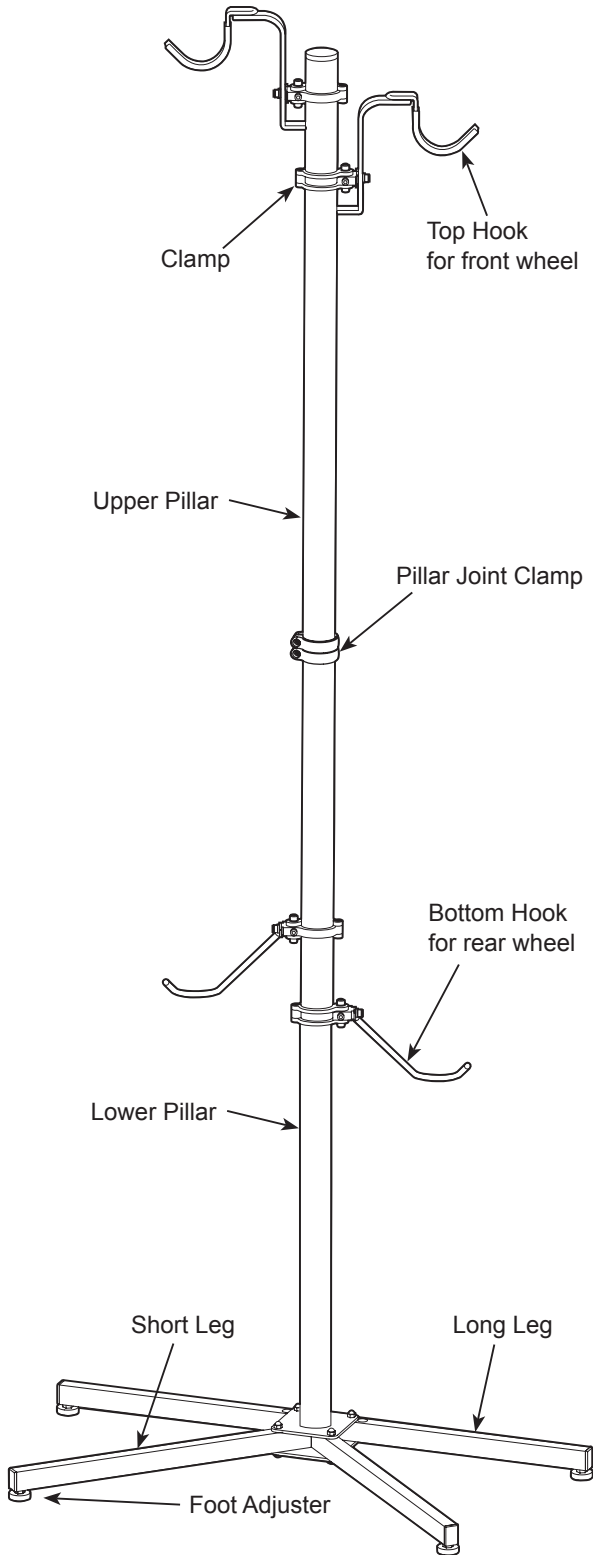
Mon - Fri, 9 am - 5 pm (PCT)

Phone 1-510-538-8599 / Fax 1-510-538-5899

support@minourausa.com

Made in Japan

Part Name



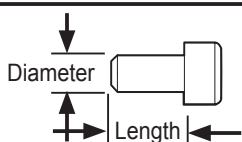
Required Tools

- 1 x M5 Hex Wrench (included)
- 1 x Phillips Screwdriver (not included)
- 1 x 13mm Spanner (not included)

(We strongly recommend to use the fatter No.3 screwdriver instead of standard No.2)

How To Read Bolt Size

(Unit: mm)

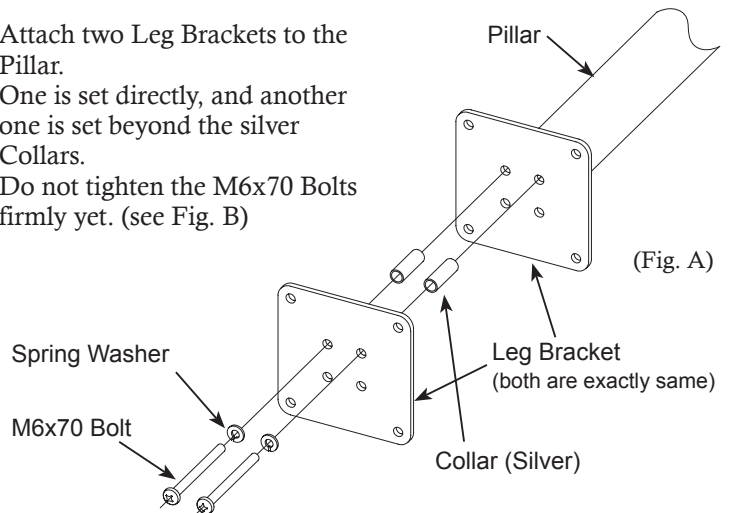


Ex) 6 x 30
Diameter Length

Assemble P-600 in K-style Leg

Setting up your P-600 in the K-Style leg configuration saves valuable room because the stand can be placed next to a wall.

- 1** Attach two Leg Brackets to the Pillar.
One is set directly, and another one is set beyond the silver Collars.
Do not tighten the M6x70 Bolts firmly yet. (see Fig. B)



Spring Washer

M6x70 Bolt

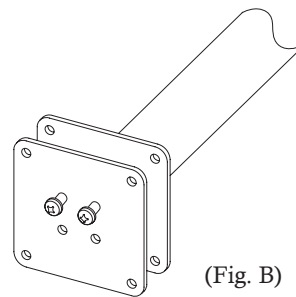
Collar (Silver)

Pillar

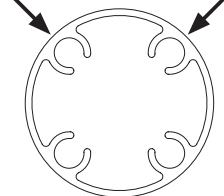
(Fig. A)

Leg Bracket (both are exactly same)

Screw the bolts to these threaded slots



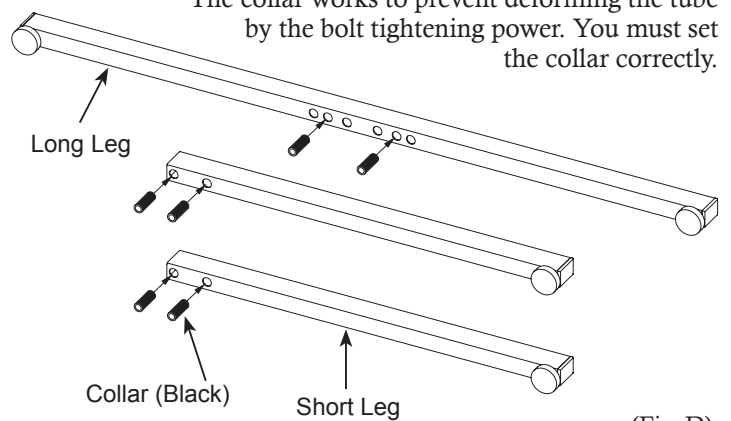
(Fig. B)



(Fig. C)

- 2** Put the black Collars to the designated holes (see Fig. D) on both Long and Short Legs. Collar is put from the larger hole.

The collar works to prevent deforming the tube by the bolt tightening power. You must set the collar correctly.



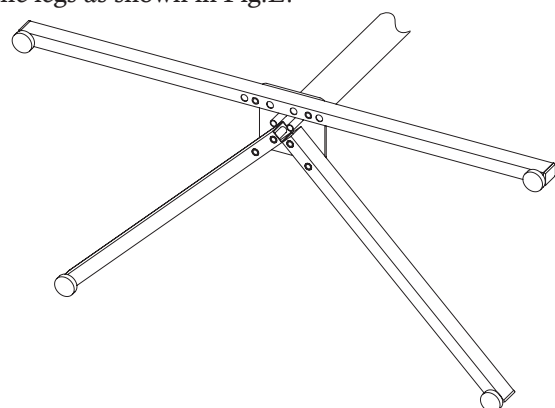
Long Leg

Collar (Black)

Short Leg

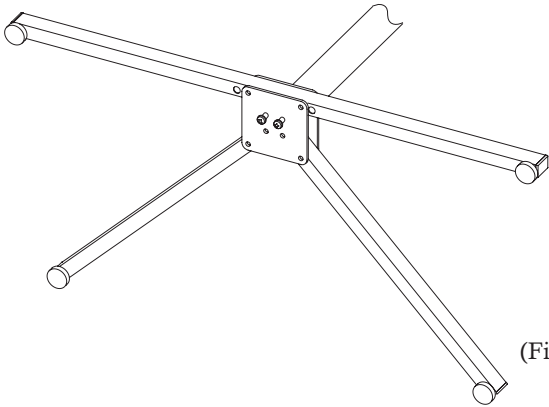
(Fig. D)

- 3** Place the legs as shown in Fig.E.



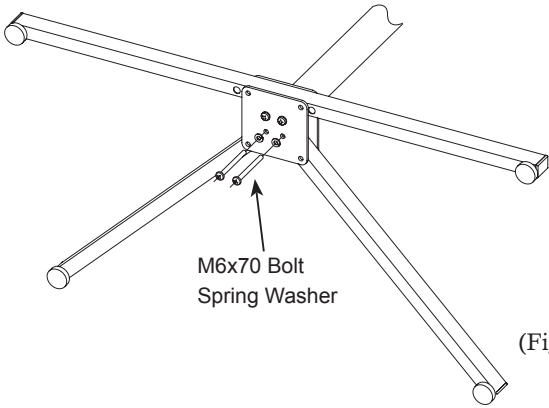
(Fig. E)

Inside layout is as shown in Fig.F.
You will install short Legs first, so you don't have to set Long Leg at this moment.



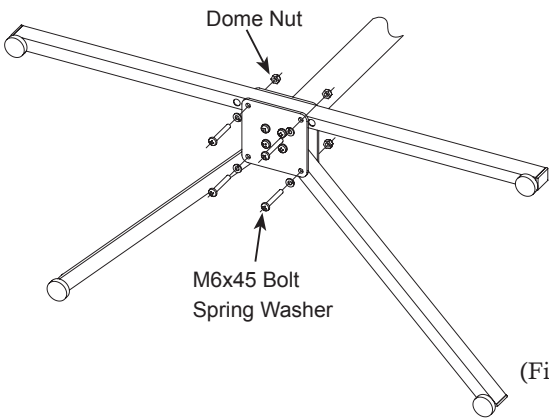
(Fig. F)

4 Put the longer M6x70 Bolt to the end hole on the Short Leg, then screw it into the Pillar.



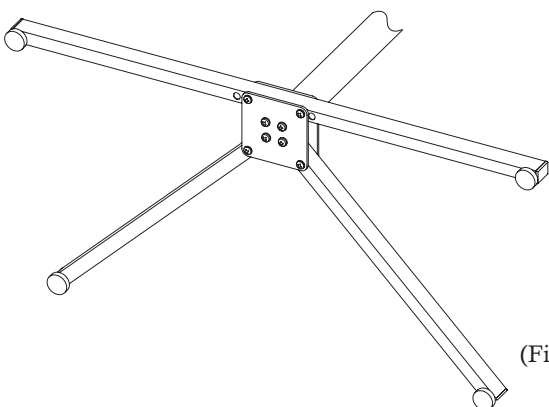
(Fig. G)

5 Put the shorter M6x45 Bolt into the corner hole to fix the Long and Short Legs. M6x45 Bolt will be screwed to the Dome Nut.



(Fig. H)

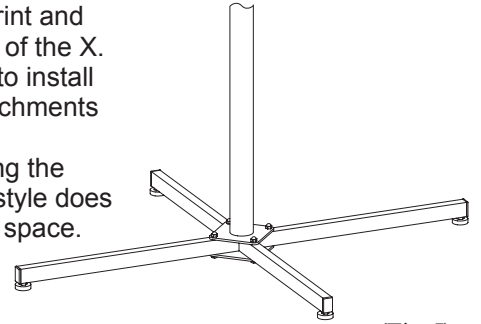
6 Tighten every bolt. Over-tightening the M6x70 Bolt may cause serious damage to the alloy Pillar. Do not overtighten.



(Fig. I)

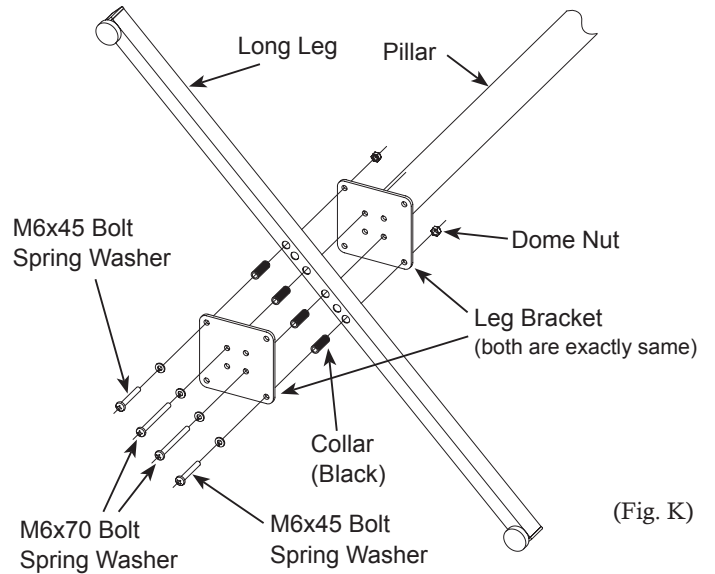
Assemble P-600 in X-style Leg

Setting up the P-600 in the X-style allows the stand to be placed anywhere due to the larger footprint and maximum stability of the X. It also allows you to install extra optional attachments on the pillar. Please note, setting the stand up in the X-style does require more floor space.



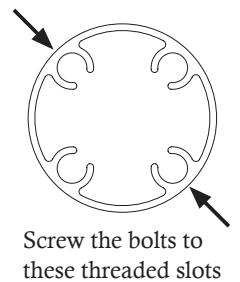
(Fig. J)

1 Put 4 black Collars to the designated holes on the Long Leg. Sandwich the Long Leg with 2 Leg Brackets, then attach to the Pillar.

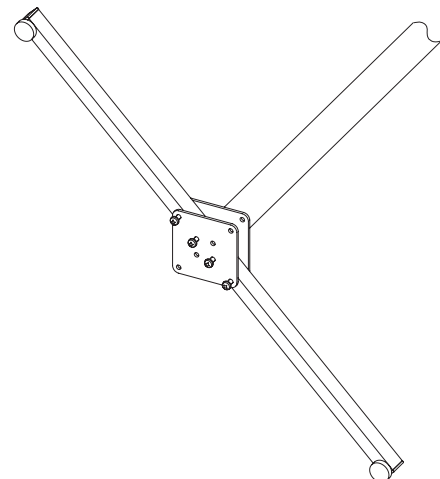


(Fig. K)

Use the longer M6x70 Bolts to the center 2 holes for screwing into the Pillar. Use the shorter M6x45 Bolts to the outer holes, then screw to the Dome Nuts. Every bolt should not be tightened firmly yet.



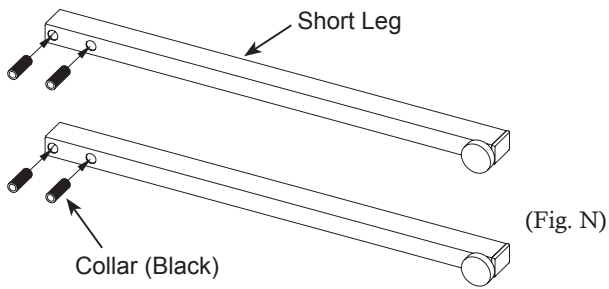
(Fig. L)



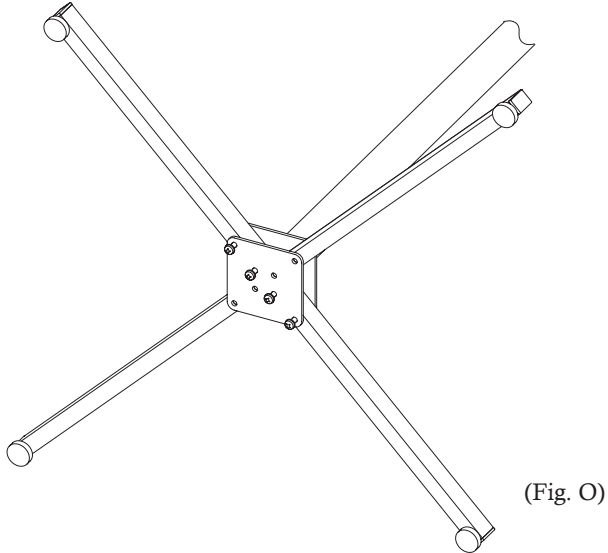
(Fig. M)

This is the image after every bolt is screwed in.

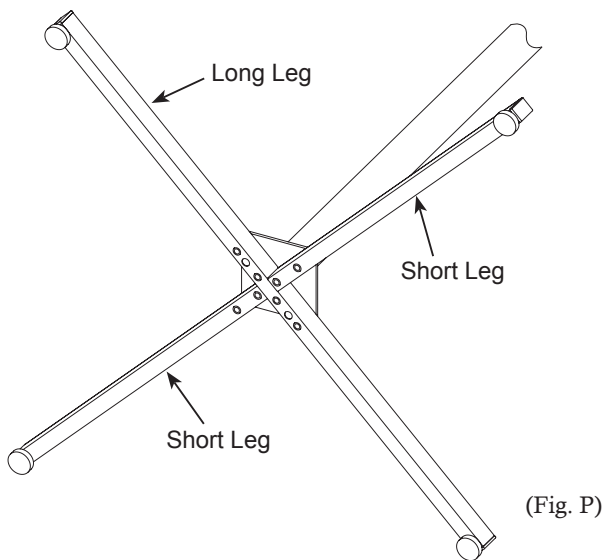
- 2** Put the black Collars to all holes on the Short Leg. Collar must be inserted from the larger hole.



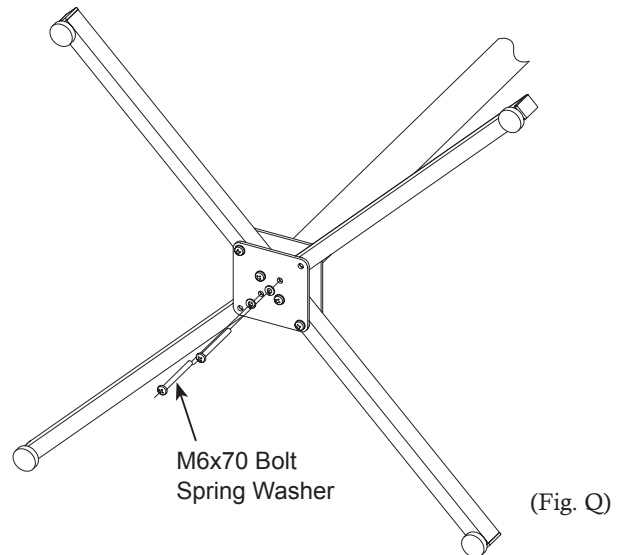
- 3** Set the Short Legs as they make "X" shape.



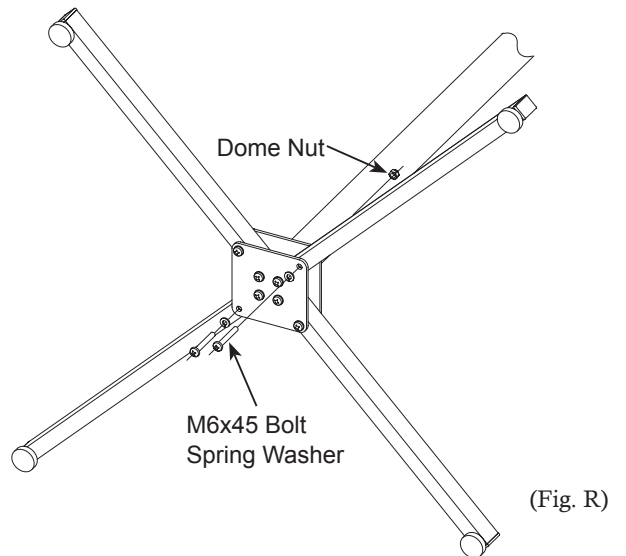
Inside layout is as shown in Fig. P.



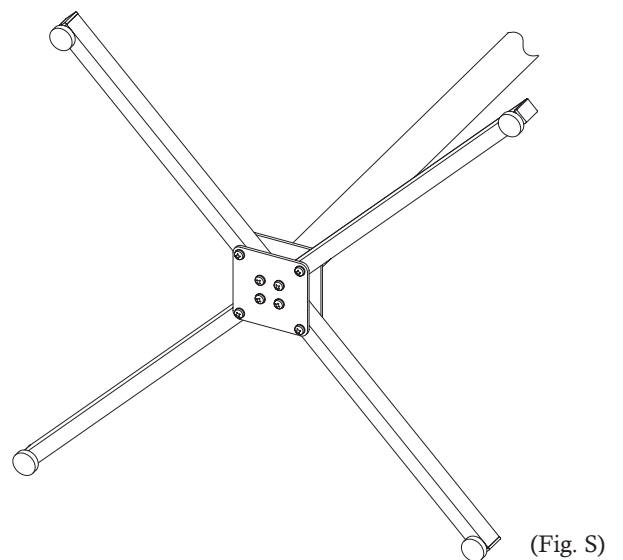
- 4** Put the longer M6x70 Bolt to the end hole on the Short Leg, then screw into the Pillar.



- 5** Put the shorter M6x45 Bolt to other hole, sandwich the Short Leg with two Leg Brackets, then screw to the Dome Nut.



- 6** Tighten every bolt. Over-tightening the M6x70 Bolt may cause serious damage to the alloy Pillar. Do not overtighten.



Joint the Pillars

The pillars on P-600AL-5S are separated, not a single piece like as previous model.

Both pillars have same diameter, and the pillar joint fastens the pillars. The pillar joint has already been installed on the upper pillar. You insert it into the lower pillar, then tighten the clamps to fix.

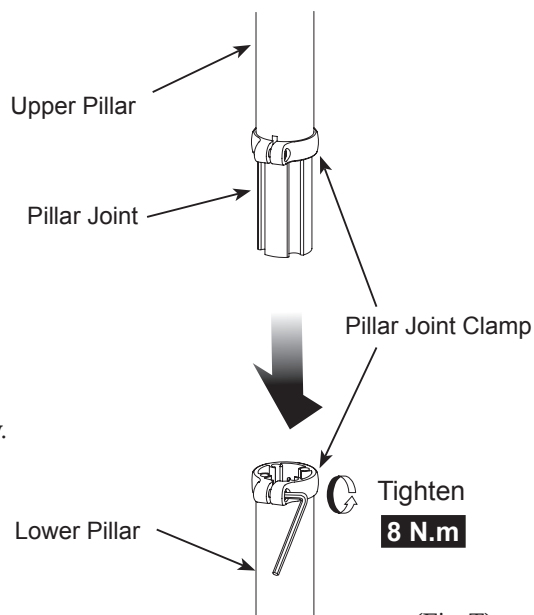
- 1** At first, loosen the clamp on the lower pillar by M5 hex wrench.
- 2** Insert the pillar joint into the lower pillar.
- 3** While keeping both pillars are tightly attached, tighten the clamp firmly. (tightening torque: 8 N.m)



Reguraly check if the clamp bolts are securely tightened. If these bolts have been loosened, the pillar could be apart and fall down.

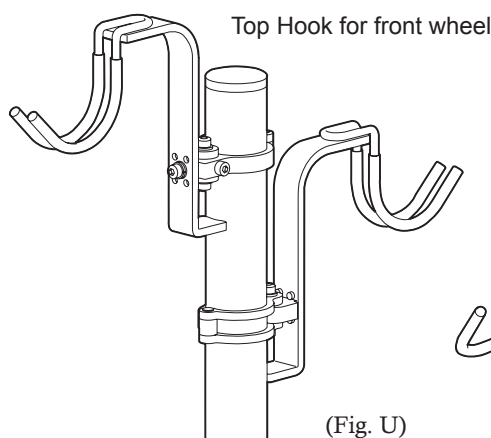


If you apply too much torque for tightening the bolt, the clamp may be deformed. If the clamp ends touch each other, it no longer works and you need to replace to a new clamp for your safety.

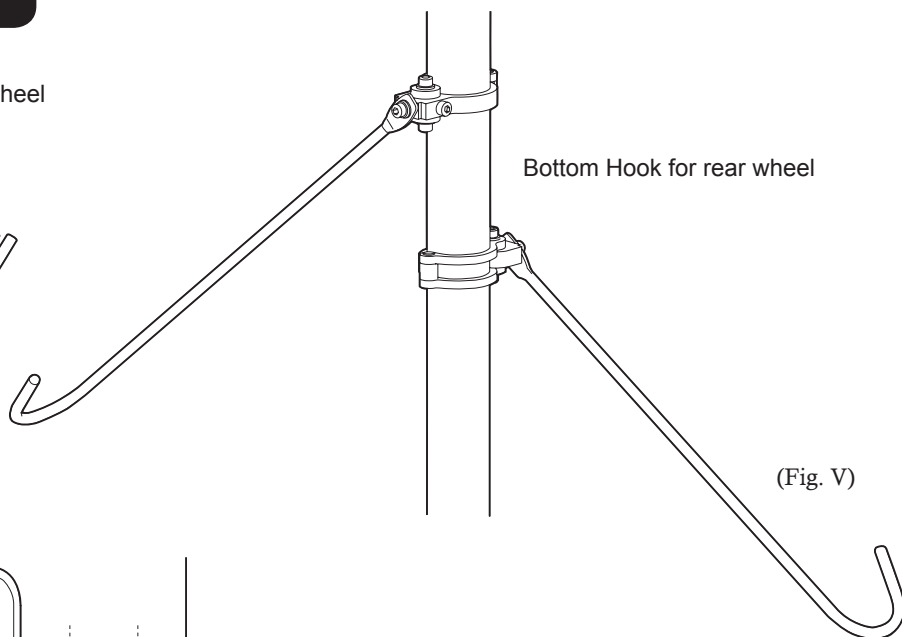


(Fig. T)

Install Top & Bottom Hooks



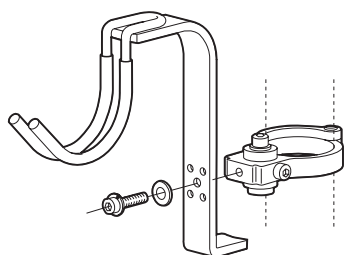
(Fig. U)



(Fig. V)

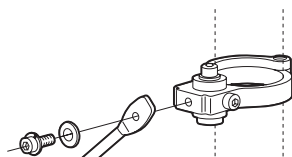
1

Install the top hook to the upper clamp. Make sure the clamp is placed between the four projections on the hook.



(Fig. W)

Screw the bolt using your finger at least in the first 3-4 rotations. After confirming the bolt threads without any problem, use the tool to tighten.



(Fig. X)

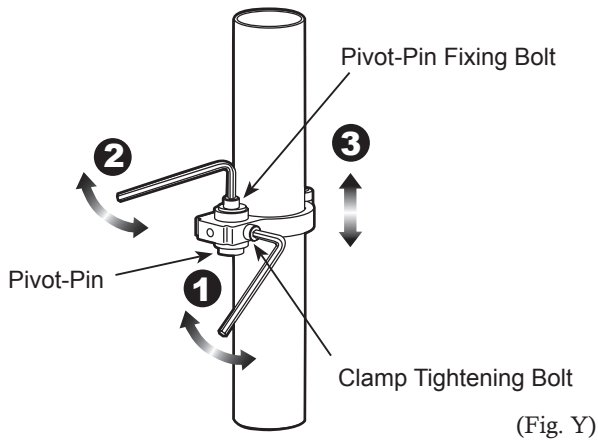
2

Install the bottom hook to the lower clamp. You don't have to fix the bottom hook. Adjust the tightening as the hook won't come down by its own weight.



It's possible on any threaded mechanism that the bolt can be forced on at an angle. If this happens the bolt usually stops in one turn. If you feel the bolt is threading incorrectly do not continue or doing so will cause damage to the thread, possibly destroying it. Properly threaded bolts will turn easily so using your fingers to get the bolt started insures you'll know if the bolt is installed correctly.

3



(Fig. Y)

Move the clamp with hook to your desired position.

The hook can be positioned at anywhere you want, but you must place it to just beside the pillar when you choose K-style leg.

To move the clamp, loosen ① clamp tightening bolt and ② pivot-pin fixing bolt together with M5 hex wrench, then ③ slide the clamp along the pillar.



The clamp may not move if you loosen the side bolt only. You should loosen both bolts.



Be sure the clamp touches the pillar directly. If you don't loosen the bolt enough, it may cause scratching. You should loosen widely.



When you set the legs in K-style, you must place the hooks just beside the pillar, otherwise the stand may tip over due to improper balance.

Adjust the bottom hooks clamp height as the bike becomes vertical when hooking the rear tire in the deepest position.

After moving, firmly tighten both ① and ② bolts.

How To Reinstall Clamp Band

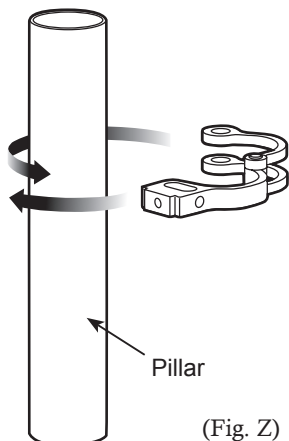
The clamp bands come pre-installed and they should not need to be removed. However, there may come time when adding options to P-600AL-5S that you will need to remove them.

Install the clamp properly as instructed below. Failure to do so may cause parts damage or allow the bike to come off the stand..

1

Wind the clamp arms around the Pillar.

The following description is set as the single side arm is on YOUR right, and the double side arm is on YOUR left.



(Fig. Z) - 6 -

2

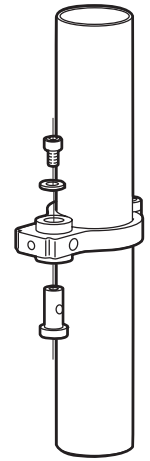
Put the Pivot-Pin through all 3 holes on the clamp band from bottom side, and screw the Pivot-Pin Fixing Bolt with a flat washer temporarily.



Make sure to insert the Pivot-Pin from the bottom. If you don't, you will not be able to tighten the bolt using a hex wrench.



Do not tighten the Pivot-Pin Fixing Bolt firmly yet. The next job will become difficult.

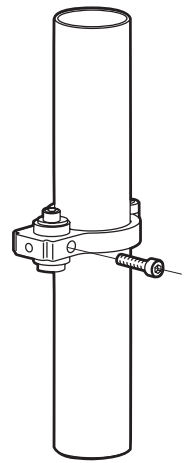


(Fig. AA)

3

Turn the Pivot-Pin to align the thread hole to the side hole on the clamp band. Screw the Clamp Tightening Bolt into the Pivot-Pin.

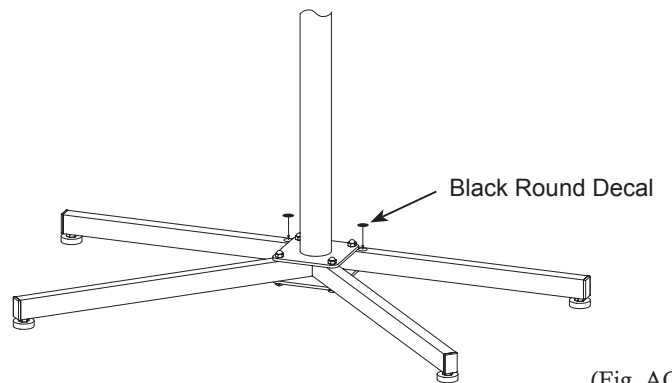
To fix the clamp band firmly, tighten the Clamp Side Pin first then tighten the Pivot-Pin Fixing Bolt later.



(Fig. AB)

Using Black Round Decal

If you wish to hide the holes beside the Leg Bracket when setting up in K-style leg configuration, put the supplied black round decal onto the hole. You will not use the decal when setting up in X-style.



(Fig. AC)