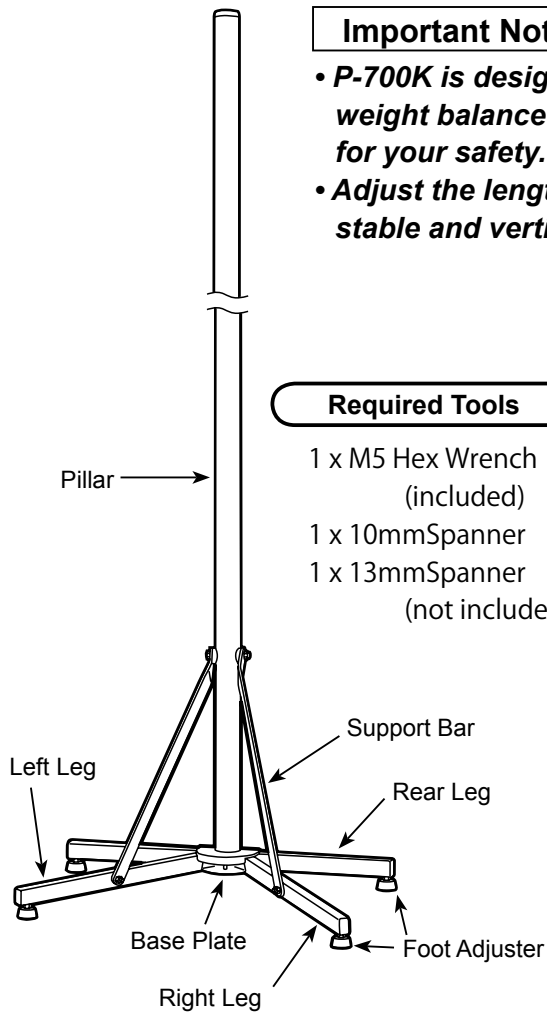


Important Notes

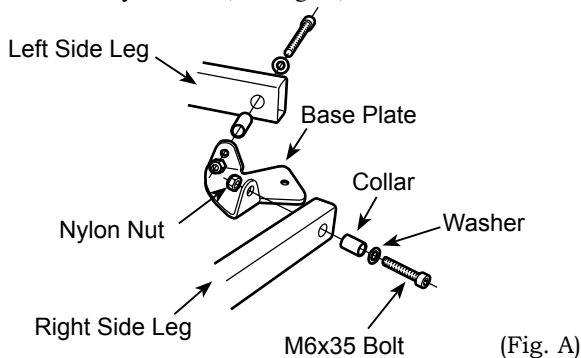
- *P-700K is designed for placing in front of a wall. It may fall backward if the weight balance becomes worse. Do not set P-700K in the center of the room for your safety.*
- *Adjust the length of each Foot Adjuster individually in order to keep the Pillar stable and vertical. And tighten the Lock Nut toward the leg after adjusting.*

Required Tools

- 1 x M5 Hex Wrench (included)
- 1 x 10mm Spanner (not included)
- 1 x 13mm Spanner (not included)



- 1** Assemble Right and Left Legs to Base Plate with the supplied M6x35 bolt, Washer, Collar and Nylon nut. (see Fig. A)



! Be sure Right and Left Legs are different, not same. Support Bar must be located on inner side of each leg.

! Insertion collar direction is different on right and left side legs. Insert the collar from outside on the right side leg, and insert from inside on the left side leg. See Fig.A closely.

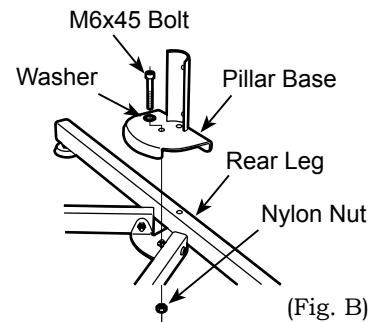
MINOURA JAPAN

1197-1 Godo, Anpachi, Gifu 503-2305 Japan

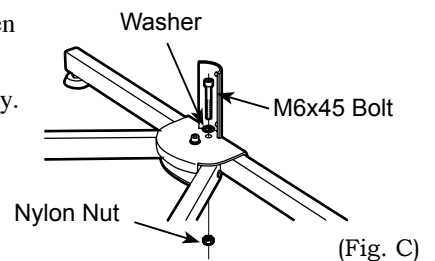
Made in Japan

Phone: +81-584-27-3131 / Fax: +81-584-27-7505 / Email: support@minourausa.com

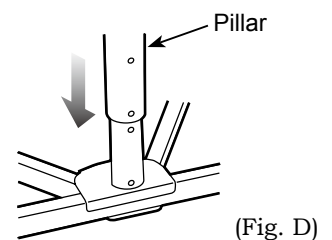
- 2** Place Rear Leg on the assembled legs. Put Pillar Base on them, then put M6x45 bolt and washer into the foreside hole, then tighten with Nylon nut temporarily. (see Fig. B)



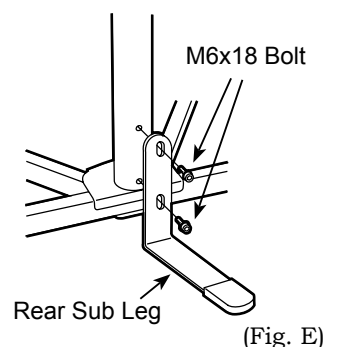
- 3** Put another M6x45 bolt and washer to the backside hole then tighten with Nylon nut. Tighten the bolt in Step-2 firmly. (see Fig. C)



- 4** Insert Pillar to Pillar Base. Be sure the bracket on Pillar Base must be inserted into Pillar, not placing beside Pillar. (see Fig. D)



- 5** Install Rear Sub Leg to the backside of Pillar with two supplied M6x18 bolts with washer. These bolts will be tightened firmly in the next step, so you don't need to tighten firmly now. (see Fig. E)



- 6** Lift up Support Arm and install to Pillar with the supplied M6x70 bolt, Washers, Plastic washers and Nylon nut.

After installation, adjust the height of Rear Sub Leg to touch all 5 foot points touch the floor at same time, then tighten M6x18 bolts firmly. (see Fig. F)

