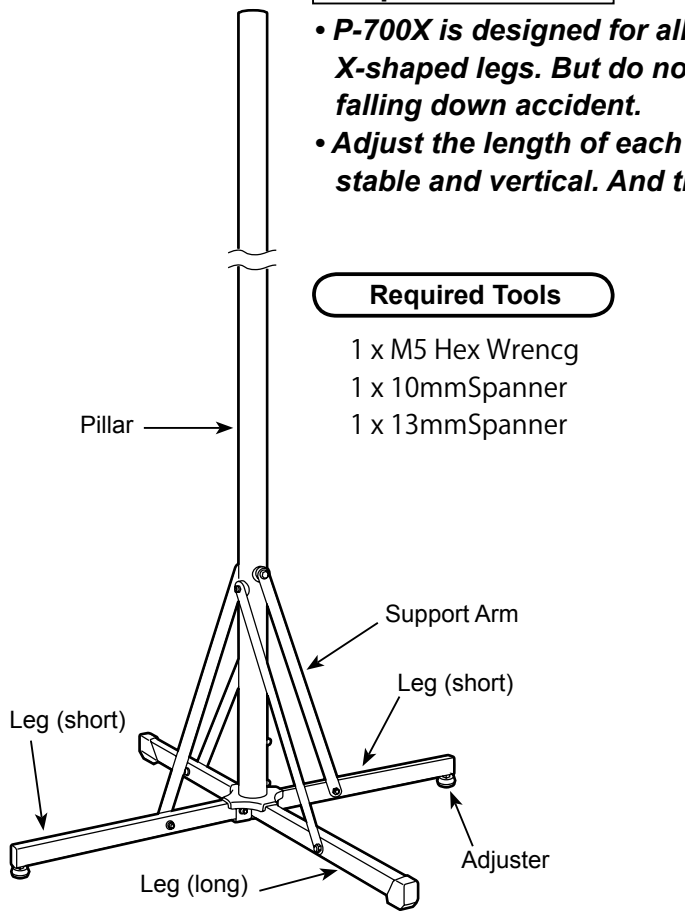


Important Notes

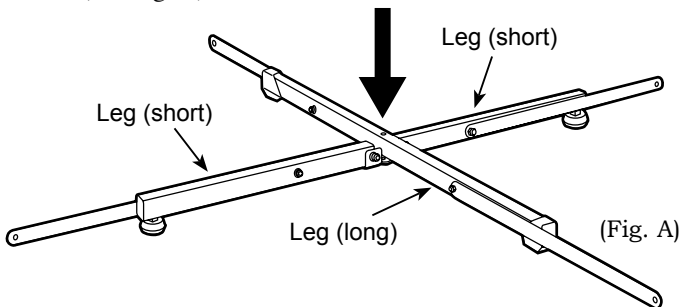
- *P-700X is designed for allowing you to setup anywhere by its super-wide X-shaped legs. But do not mount heavy items in just one side to prevent falling down accident.*
- *Adjust the length of each Foot Adjuster individually in order to keep the Pillar stable and vertical. And tighten the Lock Nut toward the leg after adjusting.*

Required Tools

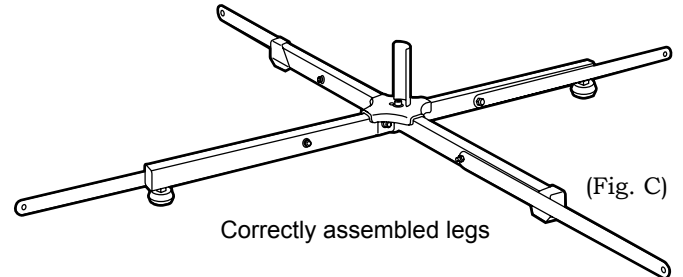
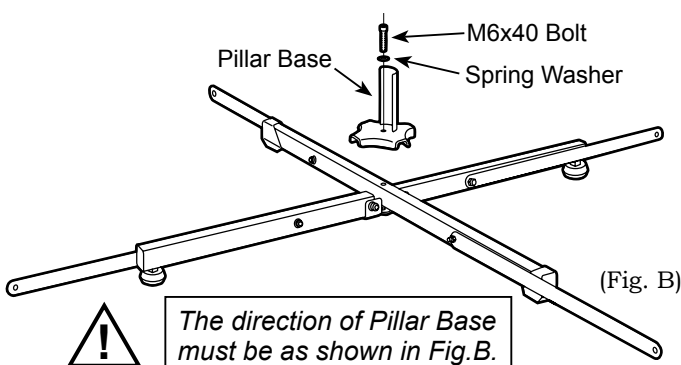
- 1 x M5 Hex Wrencg
- 1 x 10mmSpanner
- 1 x 13mmSpanner



- 1** Cross the legs and open every Support Arm outward. (see Fig. A)

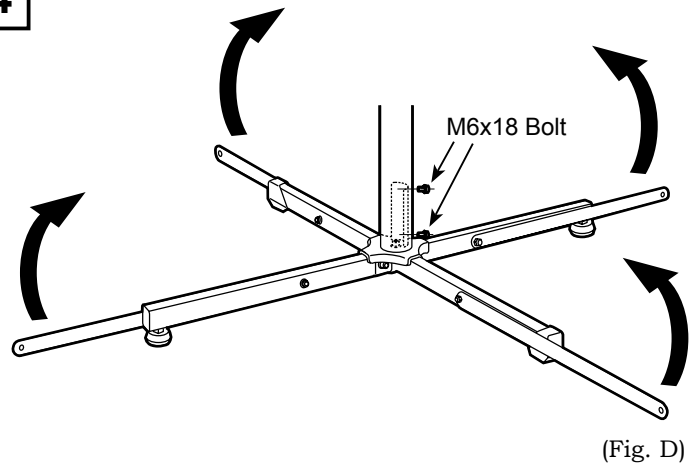


- 2** Attach Pillar Base to the center hole on the legs with M6x40 bolt and spring washer. (see Fig. B & C)



- 3** Install Pillar to Pillar Base. (see Fig. D)
Be sure the bracket of Pillar Base will be inserted into Pillar, not placing side by side.
Tighten two M6x18 bolts temporarily to hold Pillar. These bolts will be tightened firmly in the last step.

- 4** Raise up all Support Arms.



- 5** Assemble a pair of Support Arms to Pillar with an M6x70 bolt, Flat washers, Plastic washers and a Nylon nut (see Fig. E). And finally tighten M6x18 bolts firmly.

