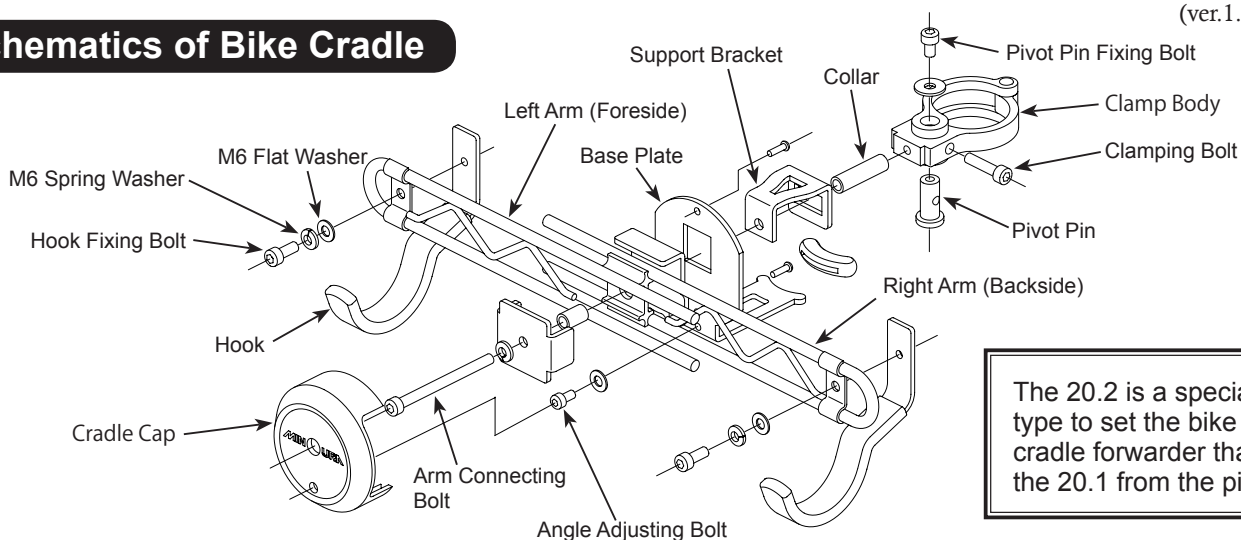


Schematics of Bike Cradle



The 20.2 is a special type to set the bike cradle forwarder than the 20.1 from the pillar.

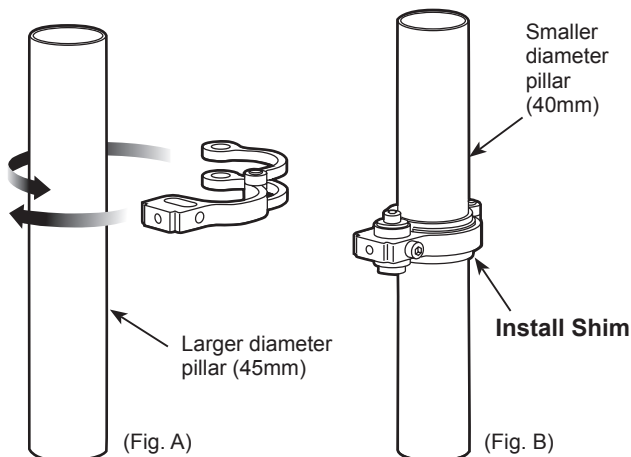
How To Install Bike Cradle

1 The clamp body is pre-assembled on the bike cradle. What you will do is installing it to the pillar without removing the clamp body.

! *Make sure you never remove the center Arm Connecting Bolt. If you do, the part becomes unusable. Just loosen it, not removing even when necessary.*

! *The clamp is universal with no specific direction. But the pivot pin MUST come from the bottom. If you don't, you will be unable to tighten the bolt with your hex wrench.*

2 Remove the Clamping Bolt from the side, the Pivot Pin Fixing Bolt from the top and the Pivot Pin from the bottom in order to enable the opening of the clamp arms. (see Fig. A)



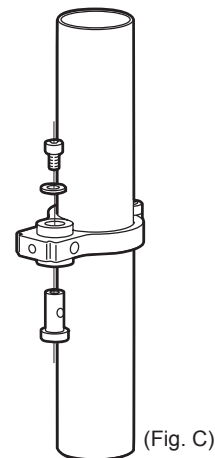
(Bike Cradle is deleted in this section for explanation.)

! *When installing the clamp band to the smaller diameter (40mm) pillar, you must put the plastic Shim between the clamp band and the pillar as a spacer. Make sure the dual ribs are located on the single arm side. (see Fig. B)*

3 Put the Pivot Pin through all 3 holes on the clamp band from bottom side, and screw the Pivot-Pin Fixing Bolt with a flat washer temporarily. (see Fig. C)

! *Do not install the Pivot Pin from the top. You will not be able to use the hex wrench.*

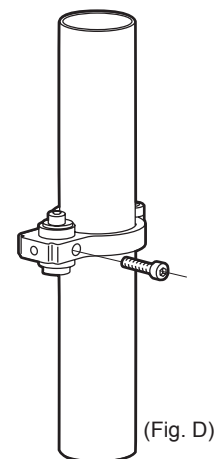
Do not tighten the Pivot Pin Fixing Bolt firmly yet. If you tighten to much, the next step will become difficult.



4 Turn the Pivot Pin to align the thread hole to the side hole on the Clamp Band. Screw the Clamping Bolt into the Pivot Pin. (see Fig. D)

5 Tighten the Clamping Bolt first, then tighten the Pivot Pin Fixing Bolt firmly (**8 N.m**).

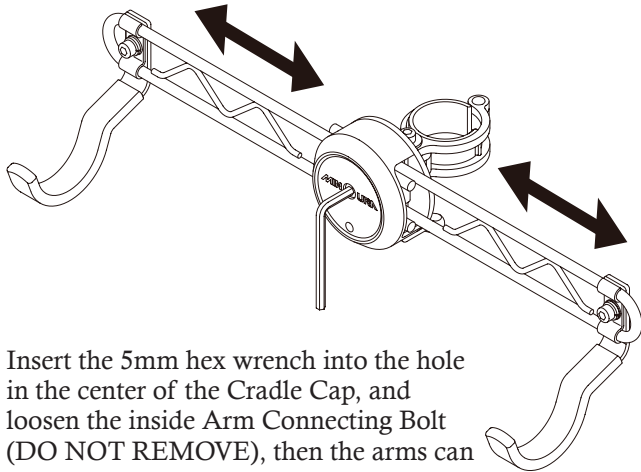
6 Install the hooks to each Cradle Arm with the bolt.



Adjusting Cradle Width & Angle

The Bike Cradle Arm is size adjustable between 325mm and 415mm (the distance of the Hook Fixing Bolts) and also angle adjustable +/- 10 degrees in order to fit to various types of bike frame as perfectly as possible.

How To Slide Cradle Arm



Insert the 5mm hex wrench into the hole in the center of the Cradle Cap, and loosen the inside Arm Connecting Bolt (DO NOT REMOVE), then the arms can move.

After adjustment, tighten the bolt firmly.

(Fig. E)

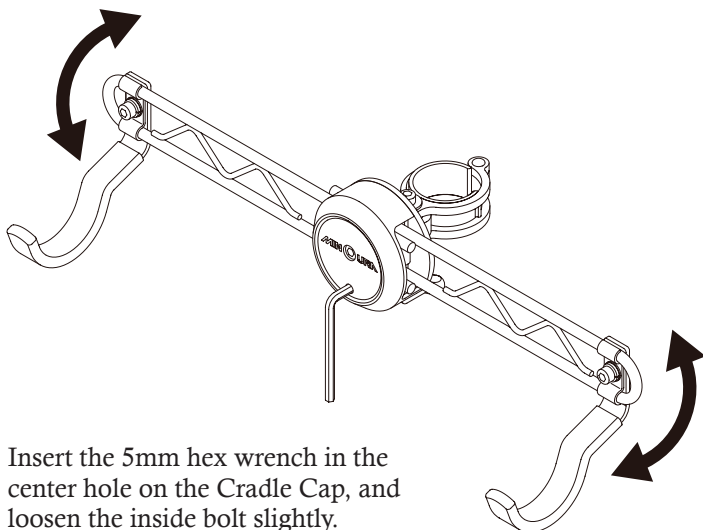


Do NOT try to remove the Cradle Arm. Do not over-pull the arm until the arm end will become hidden in the brackets which hold the arm. Once you disassemble the Bike Cradle, you will have to remove it from the pillar and remove the Cradle Cap for re-assembly.



Do NOT try to slide the arm while the bike is on the cradle. The bike may fall off when the arm has come out.

How To Adjust Cradle Angle



Insert the 5mm hex wrench in the center hole on the Cradle Cap, and loosen the inside bolt slightly. Then insert the hex wrench into the lower hole, and loosen the inside bolt. Now the cradle is ready for adjusting its angle. After adjustment, tighten both bolts firmly.

(Fig. F)

How To Mount Bike

To mount a bike on the cradle, place the top-tube on the hooks.

Usually, you hold the top-tube by both hooks, but if the bike frame design is specially sloping, you should set either hook under the seat-tube to keep the bike from sliding off.



Setting the front end to higher than the rear of the bike may cause the wheel to turn and possibly chip or damage the frame from components touching. Minoura recommends keeping the front end lower if possible or using a strap to secure the wheel to the frame or stand to avoid such accidents.



The hook material may stain on your bike frame, especially in light color such as white, depending on the top finish condition. We recommend placing a piece of bar-tape between the hook and the frame or wrapping the hook with bandage in order to avoid direct touching each other.

Warranty Period

Minoura offers **1-year limited warranty** to this product from the date of your purchase.

Any natural wear and the problems caused by misuse or unapproved modification will not be covered by this program.

For more details, read the enclosed **Minoura Limited Warranty Policy** card in the kit.

Also please regularly check our Minoura web site for the latest information.

Contact

MINOURA JAPAN

1197-1 Godo, Anpachi, Gifu 503-2305 Japan

URL: www.minoura.jp

Mail: minoura@minoura.jp

Made in Japan