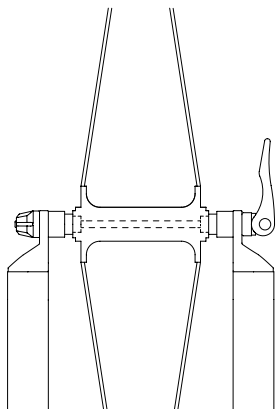
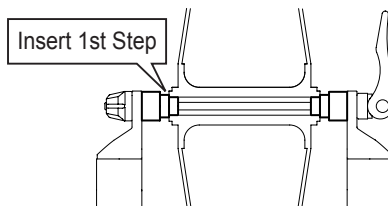


- Adapter for installing a wheel with Thru Axle Hub on a wheel truing stand
- Available for both 12mm and 15mm Thru Axle size
- Capable with both front and rear wheel

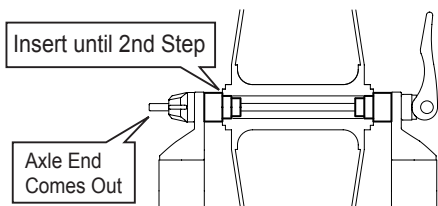


(Ex: Front wheel set on FT-1)

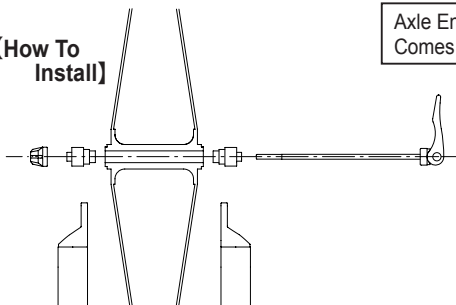
[12mm Thru Axle]



[15mm Thru Axle]

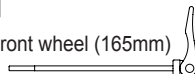


[How To Install]

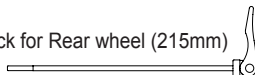


[About Supplied Quick Release Skewers]

Quick for Front wheel (165mm)



Quick for Rear wheel (215mm)



Put the Adapters into the hole on the Thru Axle Hub, put the supplied Quick Release Skewer through the adapters, and install the wheel onto your wheel truing stand. Use the shorter skewer for the front wheel, and use the longer one for the rear wheel.