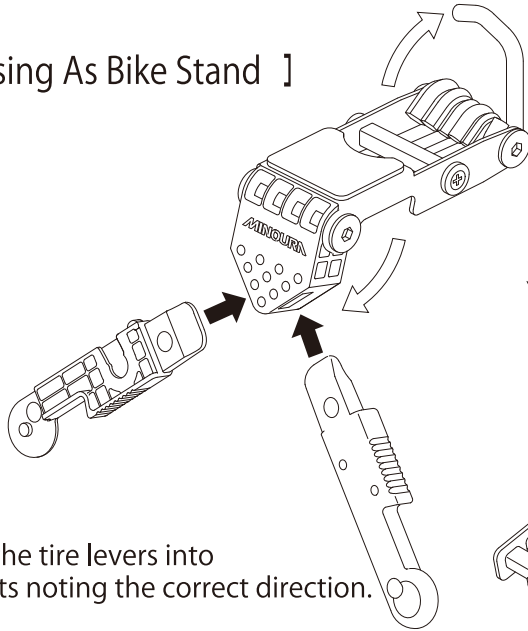




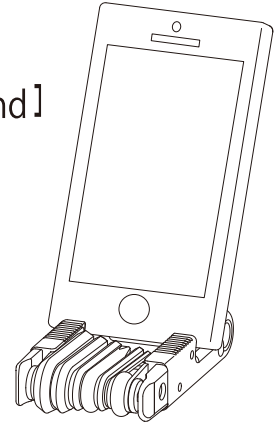
Designed for use with standard 26" and 700c wheeled bikes.  
May not work with all pedals, bottom brackets, and crank arms.

[ Using As Bike Stand ]

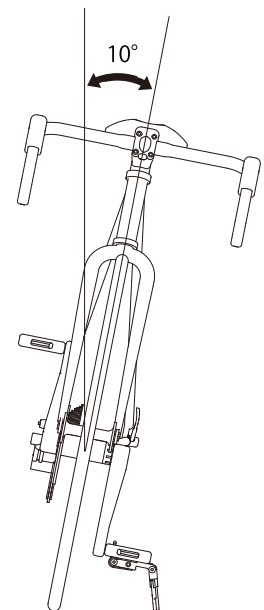
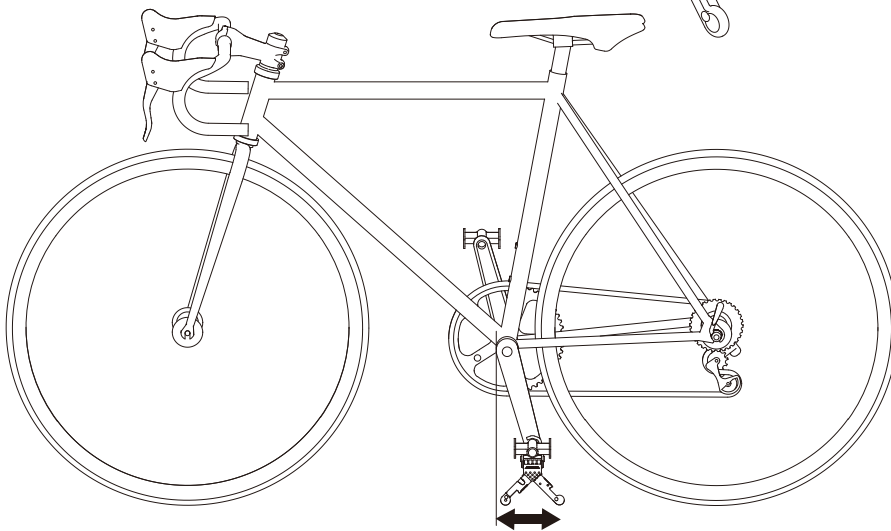


1. Insert the tire levers into the slots noting the correct direction.

[ Using As Cell Phone Stand ]



2. Extend the hook, clip to pedal, and rest the pedal on the tool top.



3. Set crank arm back slightly so the bike leans at 10 degrees.

株式会社 箕浦

〒503-2305 岐阜県安八郡神戸町神戸1197-1

Phone : 0584-27-3131

Fax : 0584-27-7505

E-mail : minoura@minoura.jp

**MINOURA JAPAN**

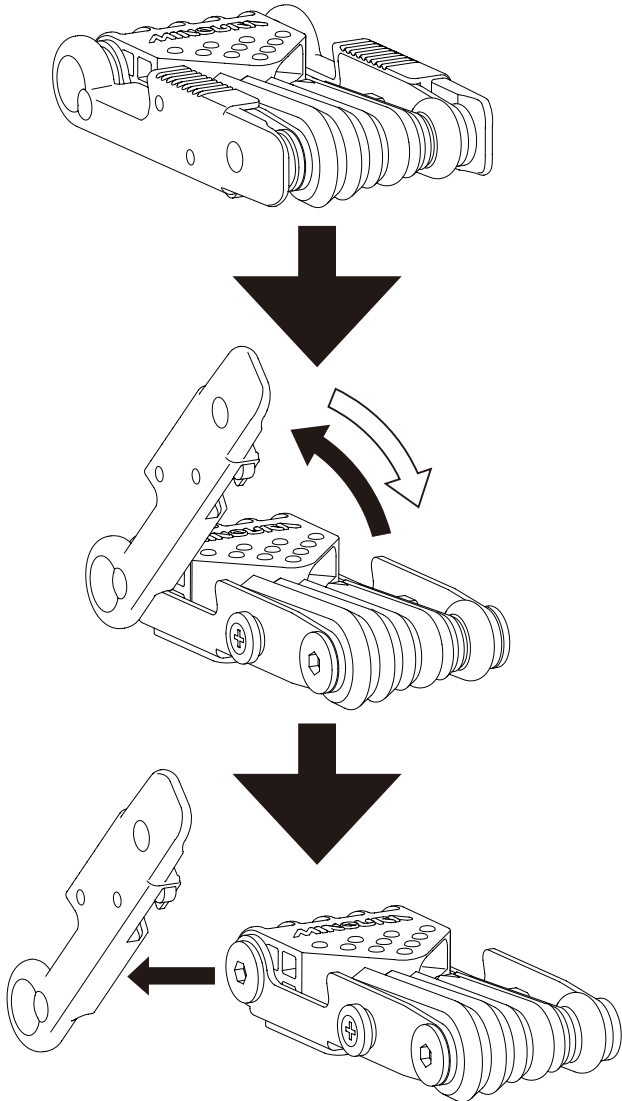
1197-1 Godo, Anpachi, Gifu 503-2305 Japan

Phone : (+81)584-27-3131

Fax : (+81)584-27-7505

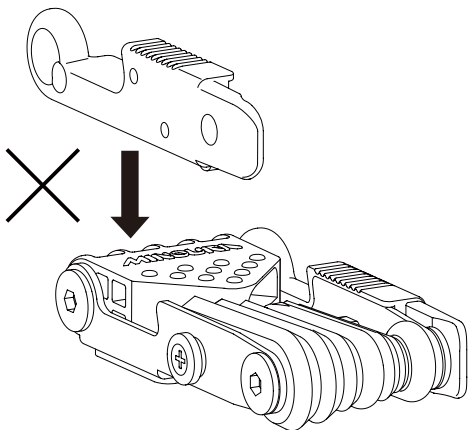
E-mail : minoura@minoura.jp

## How To Remove Tire Lever



To remove the tire lever, simply turn upward then pull out.

To store, insert the projection on the lever tail into the hex hole on the pivot bolt first, then turn down.



**Do not force to push down the lever.**

## Additional Cautions

- When using phillips screwdriver, straighten the tool, hold the shaft with fingers, and slowly turn while pushing toward the screw.
- The pivot bolt may loosen with use. Tighten as needed with an M4 hex wrench.
- Be careful not to pinch your fingers when opening or closing the tool.
- The tire levers can only be stored one way.
- Make sure your bike is stable before letting go after set up.
- Use stand only on level ground. A flat metal piece or similar may be used under the leg for stability.
- Do not mount or apply a load to bike when it's in the stand.  
Remove any luggage or excess weight before using stand.
- This product may not fit to some pedal types, crank sizes and bike types.
- If tool becomes wet, wipe dry immediately. Do not put into tool box wet or rust may occur.
- Minoura assumes no responsibility or liability for damage to your bike or person from misuse of this stand.

**Warranty Period :**

**1 year** from your purchase