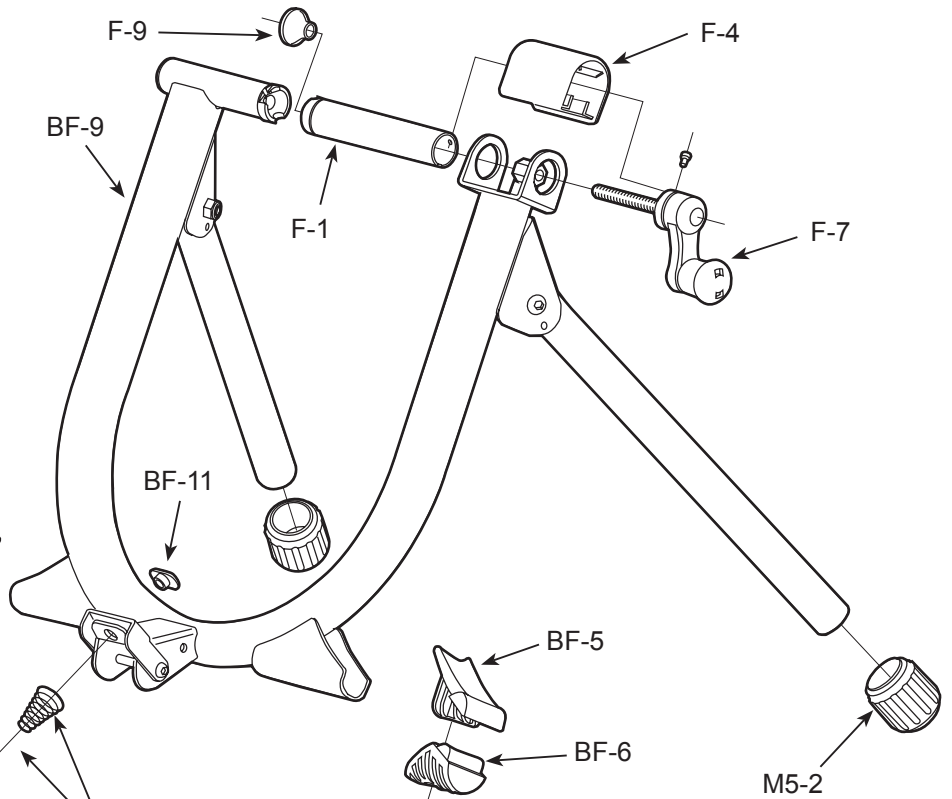
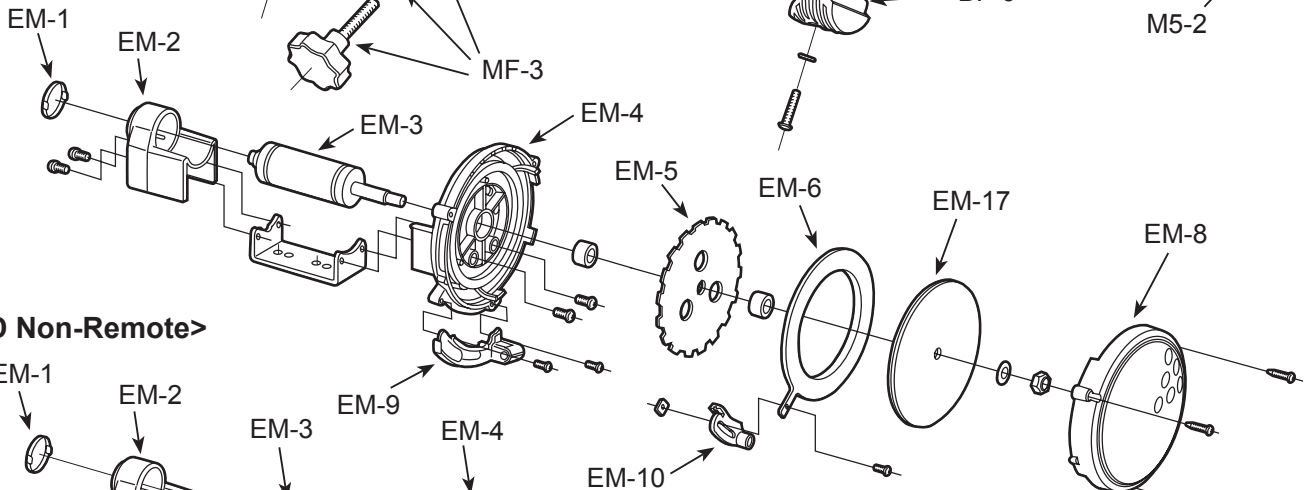


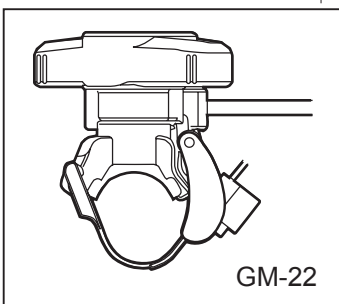
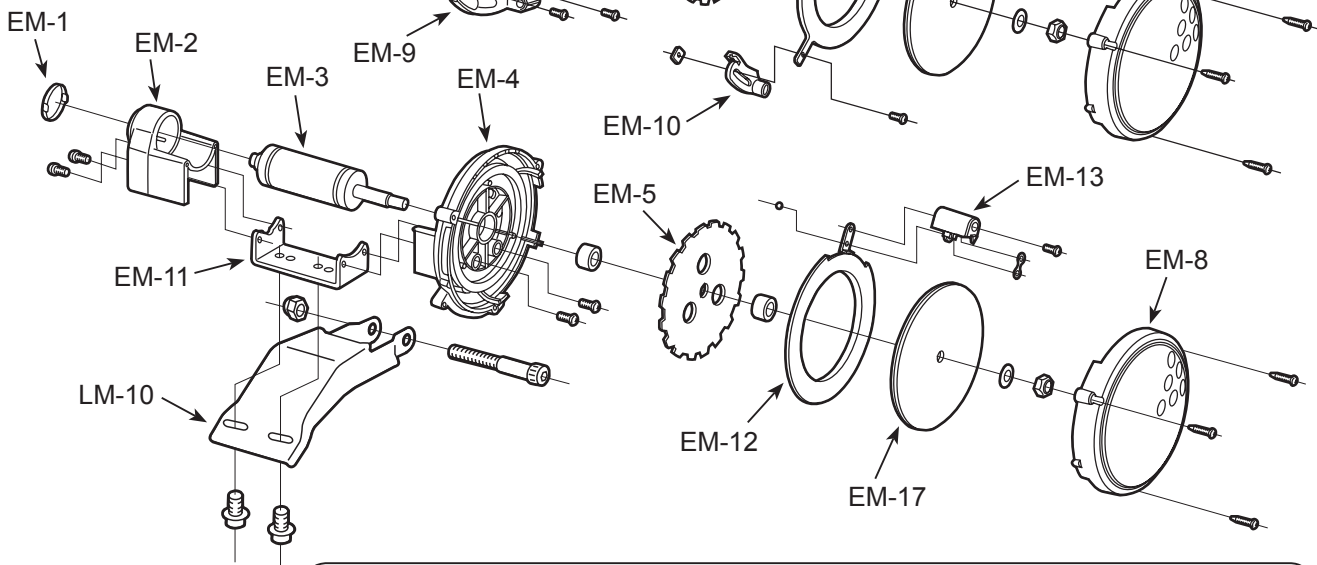
- F-1: Coupling (Right)
- F-4: Coupling Cover
- F-7: Hub Handle
- F-9: Grommet
- BF-5: Leg Rubber Cover (White)
- BF-6: Leg Rubber
- BF-9: B60 Main Frame (Black)
- BF-11: Plate Nut
- M5-2: Rubber Foot Cap (29mm)
- MF-3: Micro Adjust Knob Set



**<B60-R Remote>**



**<B60-D Non-Remote>**



- EM-1: Outer Cap
- EM-2: Axle Holder
- EM-3: Drive Roller & Bearing
- EM-4: Main Housing
- EM-5: Alloy Plate
- EM-6: Magnet Plate (Remote)
- EM-8: Flywheel Cover
- EM-9: Remote Base
- EM-10: Cable Guide
- EM-11: Connecting Plate
- EM-12: Magnet Plate (Dial)
- EM-13: Dial Lever
- EM-17: Flywheel (600g)
- GM-22: Remote Shifter
- LM-10: Base Plate