

Important Notes

- This adaptor is for supporting the bike frame in the car when the rear wheel is removed. Do NOT use it for any other purpose than instructed.
- If the quick release skewer has been loosened, the chain-ring or rear derailleur may hit the car floor and could be damaged. Tighten the skewer firmly to hold the bike frame securely and set the adaptor as vertical as possible.
- We strongly recommend you to use the tie-down strap to hold the bike securely and confirm the bike doesn't touch any fragile part like glass. And maintain gentle drive.

How To Use

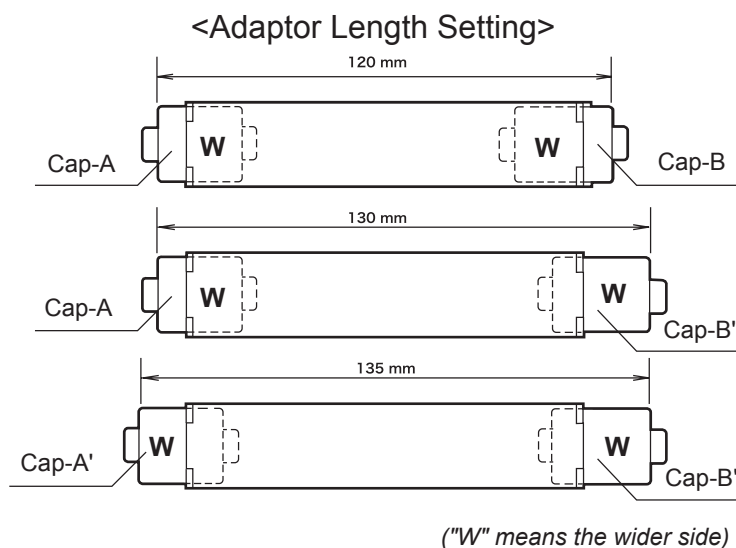
- 1 The adaptor width is adjustable in 3 sizes (120, 130 & 135mm) to accommodate to your frame perfectly by changing the direction of both right and left side caps. (see right chart)

! *Wrong adaptor length setting will cause damage to your frame. Choose the best length before installation.*

- 2 Remove the rear wheel.

- 3 Install the adaptor onto your frame end while putting the leg under the chain. Stand the bike then tighten the quick release skewer firmly. (see Fig. A) To avoid chain jamming during transport, you can hook the chain onto the right side cap.

! *Loose skewer will cause scratch problem, damage to the parts or accident.*



(Fig. B)

! *Make sure the chain doesn't touch the leg.*

Warranty Period

Minoura offers 1-year limited warranty to the original user from the date of your purchase.

This program covers any defects caused by the manufacturer's mistakes during production. It will not cover any results caused by the user's misuse, natural wear or unauthorized modifications.

For more information, visit www.minoura.jp.

For More Information

If you have any questions or need help, you should ask to the shop where you purchased this product or the official distributor in your country first. The distributor info is found on our web site. Only when you cannot get help from them, you can contact us;

MINOURA Japan Headquarters (for ALL customers)

1197-1 Godo, Anpachi, Gifu 503-2305 Japan
Phone : +81-584-27-3131 / Fax: +81-584-27-7505
Email: minoura@minoura.jp
Web: www.minoura.jp

MINOURA North America (for U.S. residents only)

Hayward, California, U.S.A.
Phone: 1-510-538-8599 / Fax: 1-510-538-5899
Email: support@minourausa.com

Made in Japan